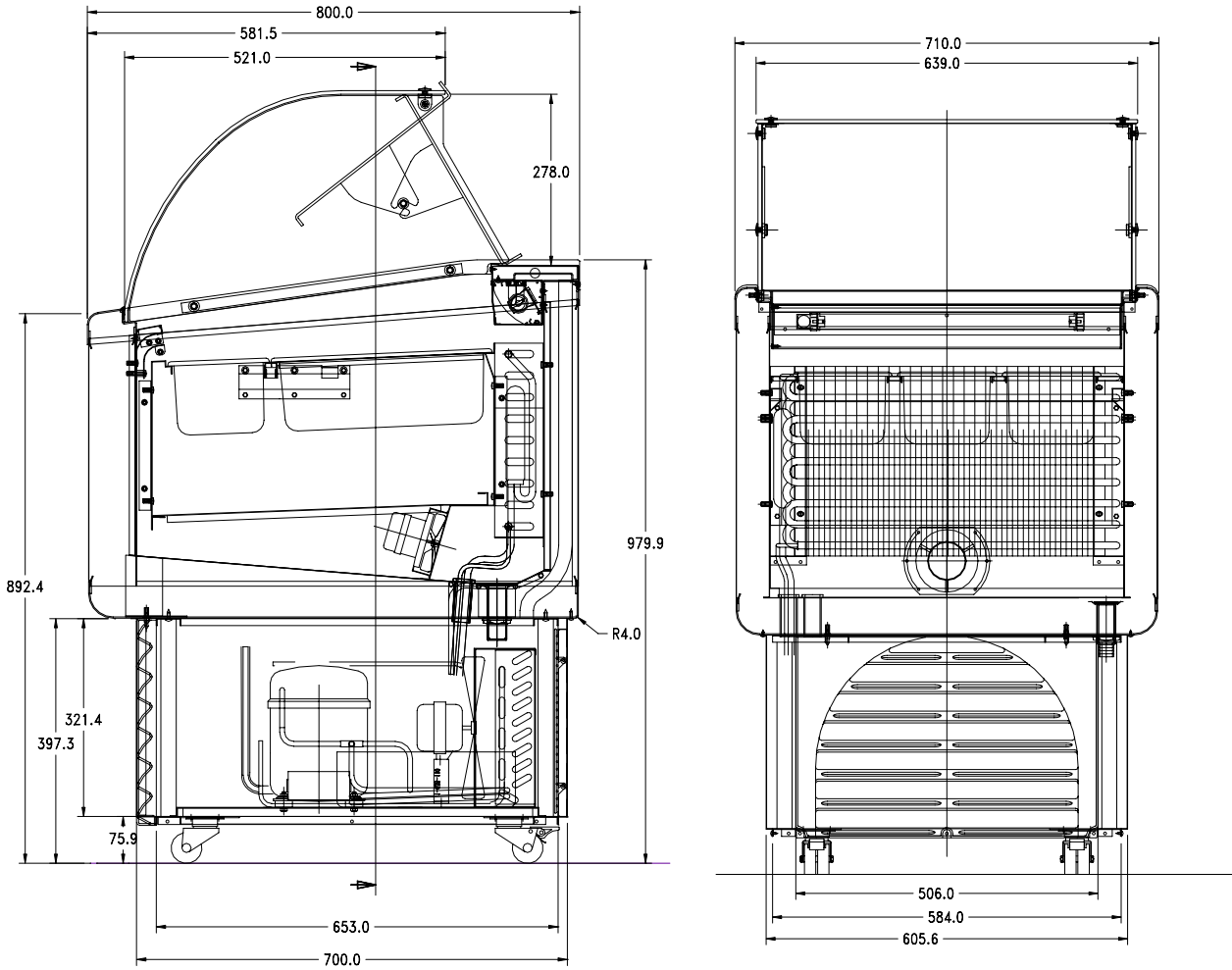


1 DRAFTS

DISPLAY UNIT WITH HOT GAS AUTOMATIC DEFROSTING SYSTEM - HERMETIC COMPRESSOR



Plan View

	MODEL	3	5	8
	LENGTH	710	1060	1500

2 NORMS AND REGULATIONS

Guarantee norms:

The validity of the guarantee is certified by the tax document and by the label stuck to the card that is enclosed with the product, which contains the bar and alphanumerical codes.

Such documentation will have to be stored by the client and referred to or exhibited in cases of intervention requests during the guarantee period.

Possible damage caused due to transport by third parties, incorrect installation and maintenance, negligence or neglect in use or tampering by third parties will not be covered by guarantee.

A written request will have to be sent to the Sales Management Division or to the local agent to obtain a technical intervention during the guarantee period.

According to its own unquestionable judgement ClaboGroup will decide whether it is necessary to repair or replace the components or the entire piece of equipment.

ClaboGroup will not accept any ulterior/different responsibility and this includes direct and/or indirect damages. Cases of replacement of the equipment will not lead to extension or renewal of the guarantee conditions.

Environmental notes:

- Packaging
Do not throw away of part of the display cabinet packaging but separate it according to the type of material in question (cardboard, wood, steel, polyester, etc...) and dispose of it according to the current laws in vigour in the country of use.
- End of service of display cabinet
When the display cabinet has reached the end of its life span:
 - **Remove the refrigerant from the refrigerator circuit of the display cabinet.**
 - **Empty it of all of the oil it contains and remove all of the rubber parts (e.g. O-ring, rubber trimming).**
 - **Send it off to be scrapped.**

Identification:

When communicating with the manufacturer or the assistance centres always quote the MATRICULATION NUMBER of the display cabinet, which is situated on the plate fixed to the rear (operator's side) of the counter.

3 INSTALLATION



This product must be installed by qualified personnel.

Positioning:

Please carry out the following operations to ensure correct positioning:

- **Position the cabinet in such a way as to leave sufficient space for use and maintenance in conditions of safety as foreseen by the UNIEN 292/2 norm point 6.2.1 and in paragraph 2.6**
- **Ensure the existence of a suitable earthing plant as foreseen by the European Norms.**
- **Check to ensure that the cabinet is level on the ground.**

Environmental Specifications:

When positioning the display cabinet remember to consider that its correct operational activity is guaranteed in temperature conditions of < 30°C and relative humidity of < 55%.

Please also ensure that:

- **There is sufficient air circulation around the cabinet but no strong currents;**
- **The cabinet is not near any sources of hot air;**
- **It is not exposed to direct sunlight;**
- **The grills for the passage of the cooling air for the condenser are not obstructed;**

The air conditioning or heating in the environment where the cabinet is positioned is not focused directly on the cabinet.

It is essential to respect the aforementioned conditions in order to avoid malfunctions, which will not be covered by guarantee.

Electrical Connection:

Please ensure that there is a suitable earthing plant before installation, as outlined by the current norms in the country of sale. Check that the network tension is compatible with the characteristics outlined on the plate situated on the operator's side of the display cabinet. Also check to ensure that the line to which the cabinet is connected is of the correct dimensions to support the load of the cabinet itself.

WARNING! Fluctuations in tension greater than 10% of the nominal tension indicated on the plate may cause permanent damage to the compressor and to the other pieces of electro-mechanical equipment that will not be covered by guarantee.

Respect any national regulations for electrical installations.

Position the general plant switch to OFF.

The display cabinet is supplied with a cable with three wires;

Yellow – Green = Earth

Blue = Neutral

Brown = Phase

WARNING! Never cut or remove the aforementioned yellow-green cable for any reason.

The three supply cables must be connected to the main network, which must be equipped with an efficient earthing network, in accordance with the national and local norms (where existent) for electrical installations and they must be suitable for the electrical absorption of the display cabinet. Please refer to the table in chapter 6 – Total Power Absorption column.

WARNING! The electrical connection to the network must be carried out by means of the three wires included, the central plant to which the cabinet is connected must also have a switch with contact openings measuring at least 3mm and protected by fuses.

WARNING! Apply an adequate anchoring method to the supply cable in the connection box, making reference to the table outlined below.





NOMINAL CURRENT OF THE APPLIANCE [A]	NOMINAL SECTION [mm ²]	
	FLEXIBLE CABLES [mm ²]	CABLES FOR EARTHING [mm ²]
3	0,5 ÷ 0,75	1 ÷ 2,5
3 ÷ 6	0,75 ÷ 1	1 ÷ 2,5
6 ÷ 10	1 ÷ 1,5	1 ÷ 2,5
10 ÷ 16	1,5 ÷ 2,5	1,5 ÷ 4
16 ÷ 25	2,5 ÷ 4	2,5 ÷ 6
25 ÷ 32	4 ÷ 6	4 ÷ 10
32 ÷ 40	6 ÷ 10	6 ÷ 16
40 ÷ 63	10 ÷ 16	10 ÷ 25

4 Eliwell ID971 CONTROL PANEL

USER INTERFACE

The user has a display and four keys for controlling status and programming of the instruments

KEYS AND MENU'

UP key		Scrolls through the menu Items increases the values Activates manual def. function
DOWN key		Scrolls through the menu items Decreases the values Programmable by the parameter
FNC key		ESC function (exit) Programmable by parameter
SET key		Accesses the setpoint Accesses the menus Confirms the commands Displaying the alarms (if present)

At start-up the instrument performs a Lamp Test; for few seconds the display and the leds blink, in order to verify their integrity and correct operation. The instrument has two main menus: the “Machine Status” and “Programming” menu.

ACCESSING AND USING MENUS

Resources are arranged in a menu, which can be accessed by pressing and quickly releasing the “set” key (“Machine Status” menu) or by holding down the “set” key for more than 5 seconds (“Programming” menu). To access the contents of each folder, indicated by the relevant label, just press the “set” key once. You can now scroll through the contents of each folder, modify it or use its functions. If you do not use the keyboard for over 15 seconds (time-out) or if you press the “fnc” key once, the last value shown on the display is confirmed and you return to the previous screen mask.

MACHINE STATUS MENU

To access the “Machine Status” menu Press and quickly release the “set” key. If alarms are not present, the label “SET” appears. By using the “UP” and “DOWN” keys you can scroll through the other folders in the menu:

- Pb1: probe 1 value folder;
- Pb2: probe 2 value folder
- SEt: Setpoint setting folder.

Set Setting

Access the “Machine Status” menu by pressing and quickly releasing the “set” key. The label of the “SEt” folder appears. To display the Setpoint value press the “set” key again. The value appears on the display.

To change the Setpoint value, use the “UP” and “DOWN” keys within 15 seconds. If the parameter is LOC=y the Setpoint cannot be changed.

Displaying Probes

By pressing the “set” key when the appropriate label appears, the value of the probe associated to it is displayed.

PROGRAMMING MENU

To enter the “Programming” menu, press the “set” key for more than 5 seconds. If specified, the access PASSWORD will be requested, (parameter “PA1”), and the label of the first folder will follow. To scroll through the other folders, use the “UP” and “DOWN” keys. To enter the folder, press “set”. The label of the first visible parameter appears. To scroll through the other parameters, use the “UP” and “DOWN” keys; to change the parameter, press and release “set”, then set the desired value using the “UP” and “DOWN” keys, and confirm with the “set” key to move to the next parameter.

PASSWORD

The password “PA1” allows access to programming parameters. In the standard configuration password is not present. To enable it and assign it the desired value, access the “Programming” menu, within the folder with the “diS” label. If password is enabled, you will see “PA1” at the entrance of the “Programming” menu.

MANUAL ACTIVATION OF THE DEFROSTING CYCLE

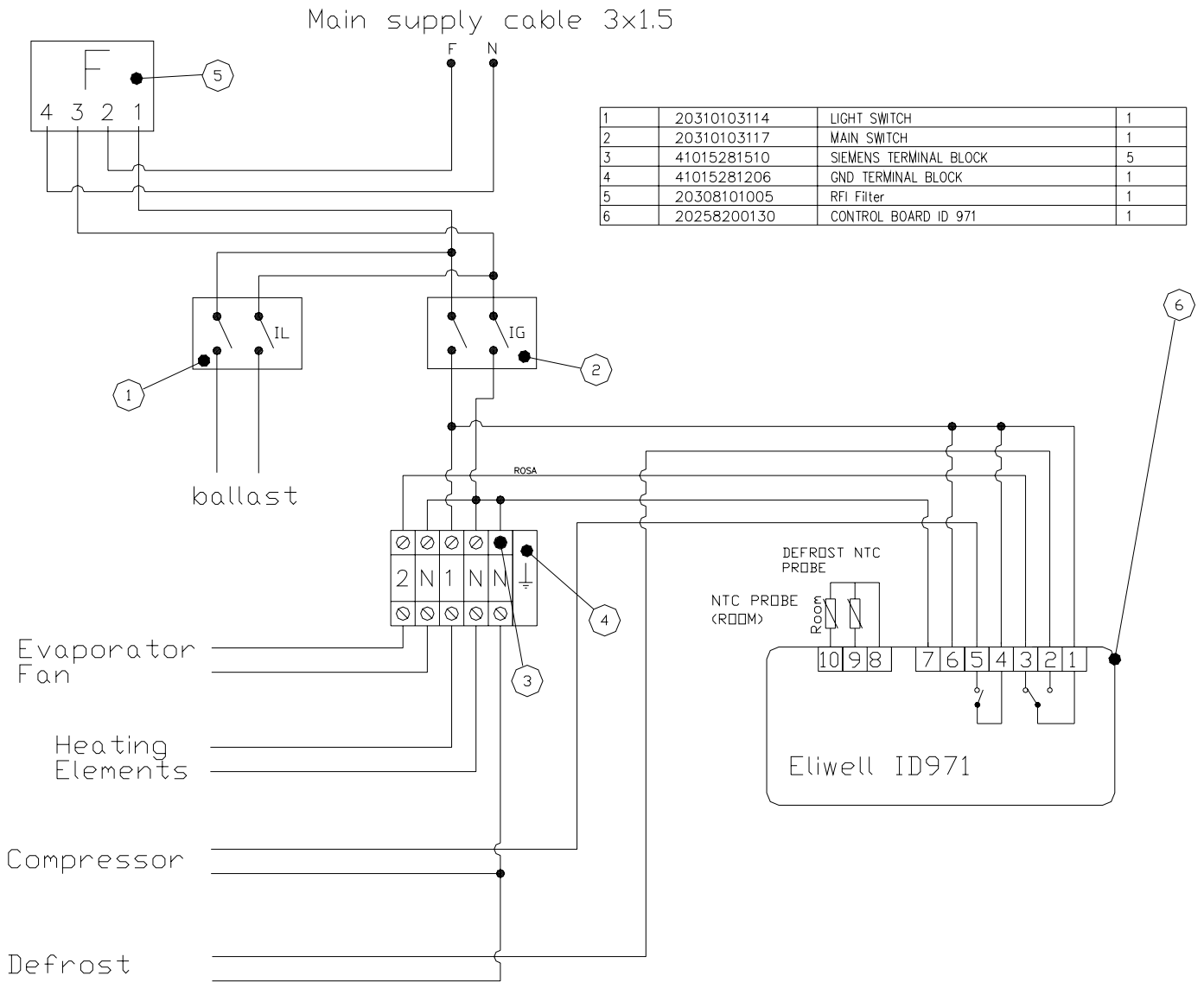
To manually activate the defrosting cycle, press the “UP” key for 5 seconds. If defrosting conditions are not present, (for example the evaporator probe temperature is higher than defrost stop temperature), the display will blink three (3) times, in order to indicate that the operation will not be performed.

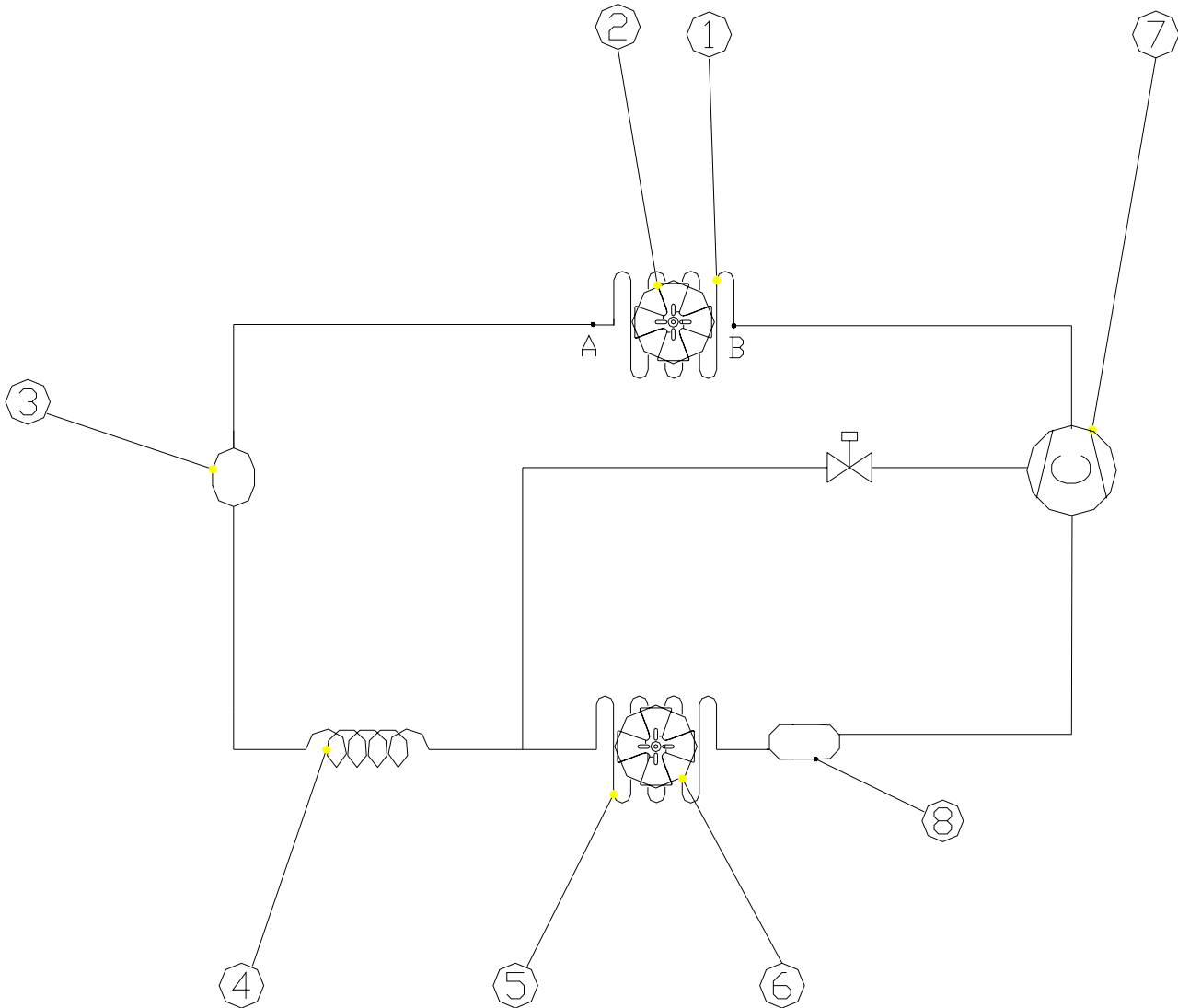
KEYBOARD LOCKING

The instrument includes a facility for disabling the keyboard, by programming the “Loc” parameter (see folder with “diS” label). If the keyboard is locked, you can still access the programming menu by pressing the “set” key. The Setpoint can also be viewed.

5 ELECTRICAL SCHEME

ID 971



6 FRIDGES SCHEME**SMART (hot gas defrosting)**

POSITION	DESCRIPTION	QUANTITY
1	CONDENSER	1
2	CONDENSER FAN	1
3	DEFOGGING FILTER	1
4	CAPILLARY	1
5	EVAPORATOR	1
6	EVAPORATOR FAN	1
7	COMPRESSOR	1
8	BOILER	1