



### BID SPECIFICATIONS

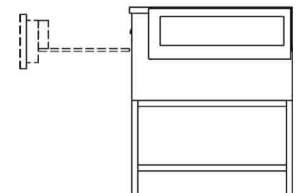
S  
T  
A  
N  
D  
A  
R  
D

- \* MATCHES 24H DISPLAY LINE AND COUNTERS
- \* ALL TEMPERED, DOUBLE PANE GLASS ON FRONT AND SIDES
- \* LED LIGHTING
- \* TOP GLASS LIFTS UP (HYDRAULIC)
- \* GALVANIZED STEEL CHASSIS CONSTRUCTION
- \* INSULATED WITH DENSE NON-CFC ECOLOGIC POLYURETHANE FOAM
- \* INSIDE STRUCTURE MADE OF HIGH GLOSS 304 STAINLESS STEEL
- \* STAINLESS STEEL WORK SURFACE
- \* DIGITAL DIAGNOSTIC CONTROL SYSTEM WITH PROGRAMMABLE DEFROSTING

- \* SELF-CONTAINED, AIR-COOLED CONDENSING UNIT
- \* OPTIMAL PRODUCT VIEWING WITH INCLINED DISPLAY
- \* MULTIPLEXING CAPABILITY WITH GELATO, PASTRY, DELI, AND CHOCOLATE CASE APPLICATIONS
- \* THE STANDARD LIMITED WARRANTY INCLUDES:  
5 YEAR COMPRESSOR; 1 YEAR PARTS; 90 DAYS LABOR
- \* FRONT AND SIDE PANELS OPTIONAL

O  
P  
T  
I  
O  
N  
A  
L

- \* CASTERS
- \* GRANITE WORK SURFACE (OPERATOR SIDE)
- \* REMOTE CONDENSING UNIT
- \* FACTORY STANDARD MATTE WHITE FRONT AND SIDE PANELS



SHOWN WITH PULL OUT DRAWER

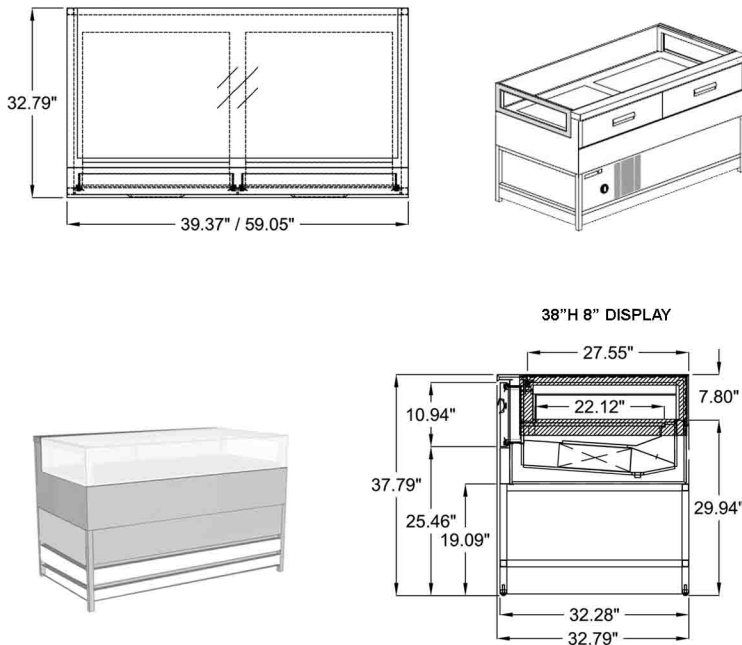
## 24h La Rossa Pastry H20 8" Display Technical Specifications

Same as Deli Refrigerated Case. but includes drawer

Model no.	Case Height	Case Lengths (Option #1)	Case Depth (Option #1)	Case Lengths (Option #2)	Case Depth (Option #2)	Crated Weights (lb)	Line Voltage	Amp Draws	Working Temp F
C87-RVC H20/96/10	37.79"	39.36"	32.79"	40.86"	36.79"	637	220/1/60	10	38 - 41
C87-RVC H20/96/15	37.79"	59.05"	32.79"	60.55"	36.79"	809	220/1/60	12	38 - 41

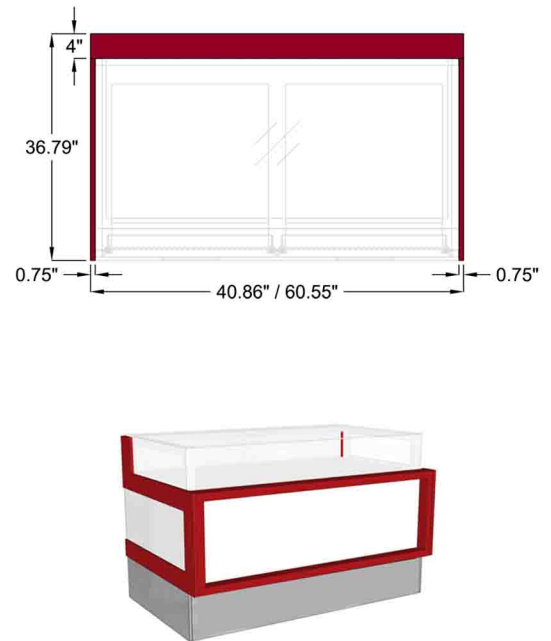
### OPTION #1

#### DIMENSIONS WITHOUT PANELS



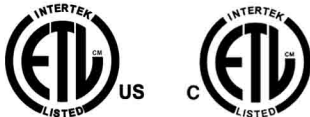
### OPTION #2

#### DIMENSIONS WITH FACTORY FINISHED PANELS



## PLAN VIEWS / SIDE VIEW (SHOWN WITHOUT PANELS) / 3D VIEW (FRONT & REAR)

### LISTINGS:



### ELECTRICAL CONNECTION:

Display cases are shipped with applicable junction box for hardwired installation  
Options exist for several NEMA configurations  
Plug and/or receptacle configurations are at the discretion of the electrical installer

### NOTE:

Required ambient conditions: 75°F; 55% RH  
Drawing and Specifications are subject to change without notice

CLABO USA INC.  
2556 Barrington Court,  
Hayward, CA 94545 USA  
PH 800.672.2784  
FAX 510.441.0401  
<http://www.otl-america.com>