



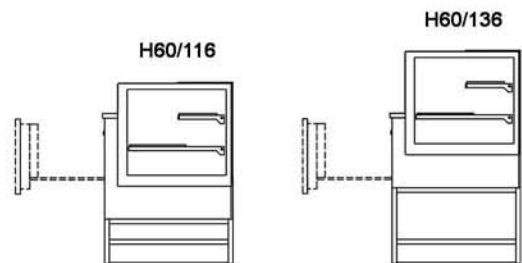
BID SPECIFICATIONS

STANDARD

- * MATCHES 24H DISPLAY LINE AND COUNTERS
- * ALL TEMPERED, DOUBLE PANE GLASS ON FRONT AND SIDES
- * LED LIGHTING
- * TOP GLASS LIFTS UP (HYDRAULIC)
- * GALVANIZED STEEL CHASSIS CONSTRUCTION
- * INSULATED WITH DENSE NON-CFC ECOLOGIC POLYURETHANE FOAM
- * INSIDE STRUCTURE MADE OF HIGH GLOSS 304 STAINLESS STEEL
- * STAINLESS STEEL WORK SURFACE
- * DIGITAL DIAGNOSTIC CONTROL SYSTEM WITH PROGRAMMABLE DEFROSTING
- * REAR PLEXIGLASS SLIDING DOORS
- * SELF-CONTAINED, AIR-COOLED CONDENSING UNIT
- * UNIQUE FAN ASSISTED AIRFLOW DESIGN
- * REFRIGERATED DECK, NON-REFRIGERATED SHELVES
- * MULTIPLEXING CAPABILITY WITH GELATO, PASTRY, DELI, AND CHOCOLATE CASE APPLICATIONS
- * THE STANDARD LIMITED WARRANTY INCLUDES:
5 YEAR COMPRESSOR; 1 YEAR PARTS; 90 DAYS LABOR
- * FRONT AND SIDE PANELS OPTIONAL

OPTIONAL

- * CASTERS
- * GRANITE WORK SURFACE (OPERATOR SIDE)
- * REMOTE CONDENSING UNIT
- * FACTORY STANDARD MATTE WHITE FRONT AND SIDE PANELS



SHOWN WITH PULL OUT DRAWER

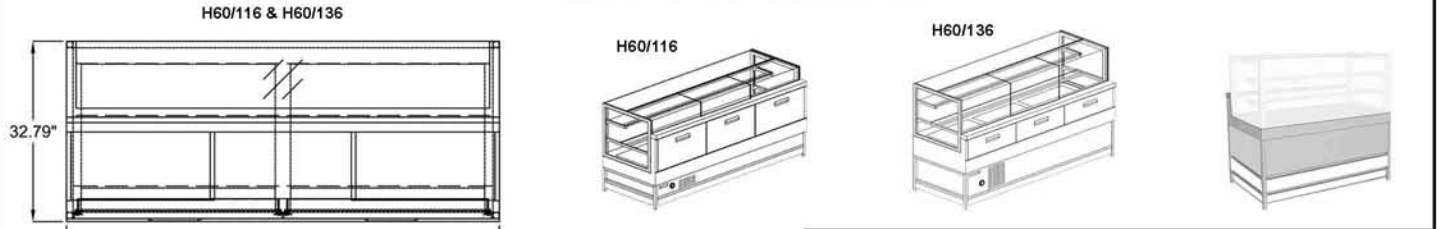
24h La Rossa Pastry H60 24" Display Technical Specifications

Same as Deli Refrigerated Case. but includes drawer

Model no.	Case Heights	Case Lengths (Option #1)	Case Depth (Option #1)	Case Lengths (Option #2)	Case Depth (Option #2)	Crated Weights (lb)	Line Voltage	Amp Draws	Working Temp F	Shelves
C87-RVC H60/116/10	45.66"	39.36"	32.79"	40.86"	36.79"	723	220/1/60	12	38 - 41	2
C87-RVC H60/116/15	45.66"	59.05"	32.79"	60.55"	36.79"	880	220/1/60	14	38 - 41	2
C87-RVC H60/116/20	45.66"	78.73"	32.79"	80.23"	36.79"	1066	220/1/60	14	38 - 41	2
C87-RVC H60/136/10	53.53"	39.36"	32.79"	40.86"	36.79"	723	220/1/60	12	38 - 41	2
C87-RVC H60/136/15	53.53"	59.05"	32.79"	60.55"	36.79"	880	220/1/60	14	38 - 41	2
C87-RVC H60/136/20	53.53"	78.73"	32.79"	80.23"	36.79"	1066	220/1/60	14	38 - 41	2

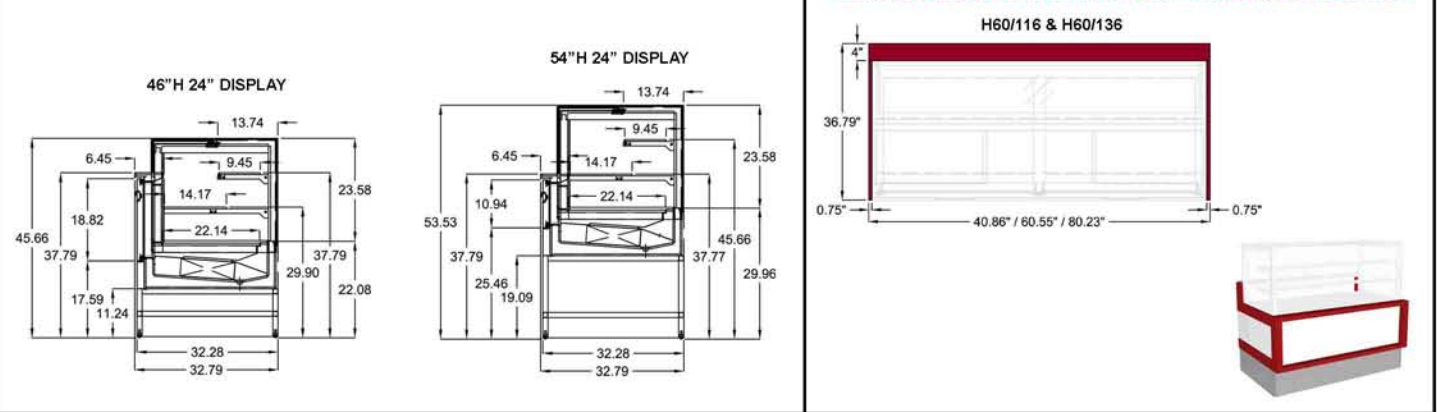
OPTION #1

DIMENSIONS WITHOUT PANELS



OPTION #2

DIMENSIONS WITH FACTORY FINISHED PANELS



PLAN VIEWS / SIDE VIEWS (SHOWN WITHOUT PANELS) / 3D VIEWS (FRONT & REAR)

LISTINGS:



ELECTRICAL CONNECTION:

Display cases are shipped with applicable junction box for hardwired installation
Options exist for several NEMA configurations
Plug and/or receptacle configurations are at the discretion of the electrical installer

NOTE:

Required ambient conditions: 75°F; 55% RH
Drawing and Specifications are subject to change without notice

CLABO USA INC.
2556 Barrington Court,
Hayward, CA 94545 USA
PH 800.672.2784
FAX 510.441.0401
<http://www.otl-america.com>