

Z6 Z9 Z12



## BID SPECIFICATIONS

S  
T  
A  
N  
D  
A  
R  
D

- \* SELF-CONTAINED, AIR-COOLED CONDENSING UNIT
- \* LED LIGHTING
- \* GALVANIZED STEEL CHASSIS CONSTRUCTION
- \* UNIQUE FAN ASSISTED AIRFLOW DESIGN
- \* INSULATED WITH DENSE NON-CFC ECOLOGIC POLYURETHANE FOAM
- \* BACK & INSIDE STRUCTURE MADE OF HIGH GLOSS 304 STAINLESS STEEL
- \* HEATED FRONT AND SIDE GLASS
- \* HYDRAULIC LIFT UP FRONT GLASS
- \* STAINLESS STEEL WORK SURFACE
- \* DIGITAL DIAGNOSTIC CONTROL / PROGRAMMABLE DEFROST
- \* ROLL DOWN REAR CURTAIN
- \* THE STANDARD LIMITED WARRANTY INCLUDES:  
5 YEAR COMPRESSOR; 1 YEAR PARTS; 90 DAYS LABOR

O  
P  
T  
I  
O  
N  
A  
L

- \* CASTERS
- \* PANS NOT INCLUDED



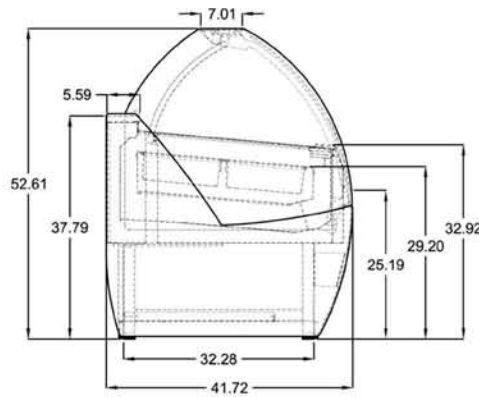
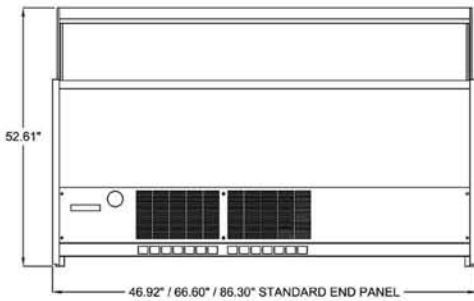
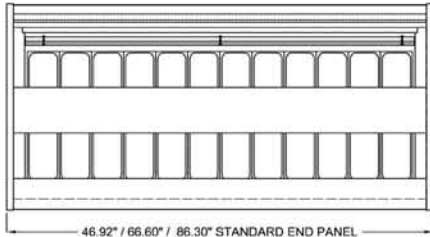
- \* FACTORY STANDARD MATTE WHITE FRONT & SIDE PANELS



## EVO (FORMERLY VENTURA L II) Ice Cream / Gelato Case Technical Specifications

Updated Model no.	Factory Codes	Case Height	* Case Lengths	Case Depth	Crated Weights (lb)	Line Voltage	Breaker Sizes	Amp Draws	BTUs	Working Temp F	Pan Capacity		Comp. HP
									-20 Evap Temp (R404a)		5 Liter	12 Liter	
Z6	G6	52.61"	46.92"	41.72"	950	220/1/60	20amps	12	3069	-10 to + 10	12	8	1 1/2 HP
Z9	G9	52.61"	66.60"	41.72"	1110	220/1/60	20amps	14	6138	-10 to + 10	18	12	2 HP
Z12	G12	52.61"	86.30"	41.72"	1250	220/1/60	30amps	16	7850	-10 to + 10	24	16	2 X 1 1/2 HP

\* Case lengths are specified with standard end panels



Factory Codes	Pan Layouts	Pan Sizes
G6		5 Liter
G6		12 Liter
G9		5 Liter
G9		12 Liter
G12		5 Liter
G12		12 Liter

### PLAN & REAR VIEW

### SIDE VIEW

### LISTINGS:



### ELECTRICAL CONNECTION:

Display cases are shipped with applicable junction box for hardwired installation  
 Options exist for several NEMA configurations  
 Plug and/or receptacle configurations are at the discretion of the electrical installer

### NOTE:

Required ambient conditions: 75°F; 55% RH  
 Drawing and Specifications are subject to change without notice

CLABO USA INC.  
 2556 Barrington Court,  
 Hayward, CA 94545 USA  
 PH 800.672.2784  
 FAX 510.441.0401  
<http://www.otl-america.com>