

TN44 TN65 TN85 TNA45



BID SPECIFICATIONS

S
T
A
N
D
A
R
D

- * DUAL PANE TEMPERED GLASS FRONT AND SIDE
- * TILT BACK FRONT GLASS
- * REAR PLEXIGLASS SLIDING DOORS
- * STAINLESS STEEL WORK SURFACE
- * SILVER ANODIZED ALUMINUM TRIM
- * MULTIPLEXING CAPABILITY WITH GELATO, PASTRY, DELI, AND CHOCOLATE CASE APPLICATIONS
- * THE STANDARD LIMITED WARRANTY INCLUDES:
1 YEAR PARTS; 90 DAYS LABOR

O
P
T
I
O
N
A
L

- * LED LIGHTING
- * CASTERS
- * GRANITE WORK SURFACE (OPERATOR SIDE)

- * FACTORY STANDARD MATTE WHITE FRONT AND SIDE PANELS

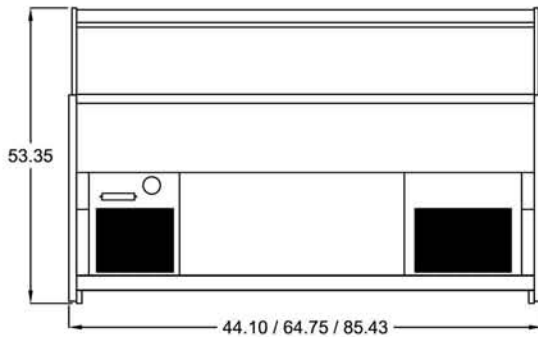
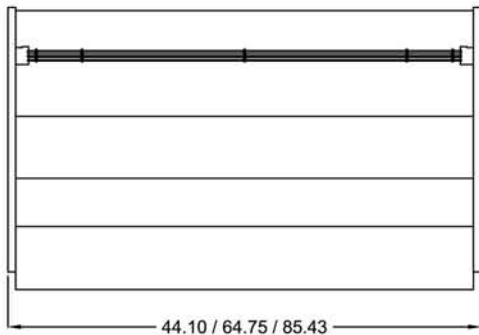


TECNICA (FORMERLY VENTURA XP II) Neutral Case Technical Specifications

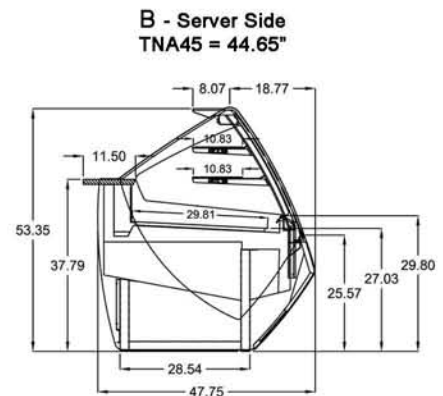
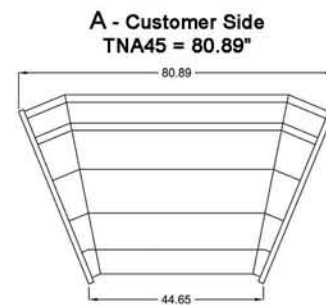
No Heat, No Cooling

Model no.	Factory Codes	Case Height	* Case Lengths	Case Depth	Crated Weights (lb)	Line Voltage	Breaker Size	Amp Draws	Working Temp	Shelves
TN44	NS 2M	53.35"	44.10"	47.75"	590	220/1/60	20amps	5	Ambient	2
TN65	NS 3M	53.35"	64.75"	47.75"	745	220/1/60	20amps	5	Ambient	2
TN85	NS 4M	53.35"	85.43"	47.75"	950	220/1/60	20amps	5	Ambient	2
TNA45	RVC A45	53.35"	* A & B *	47.75"	565	220/1/60	20amps	8	Ambient	2

* Case length with standard end panels

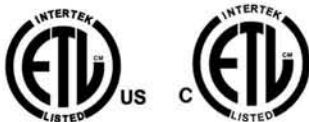


PLAN & REAR VIEW



A45 PLAN VIEW & SIDE VIEW

LISTINGS:



ELECTRICAL CONNECTION

Display cases are shipped with applicable junction box for hardwired installation
Options exist for several NEMA configurations
Plug and/or receptacle configurations are at the discretion of the electrical installer

NOTE:

Required ambient conditions: 75°F; 55% RH
Drawing and Specifications are subject to change without notice

CLABO USA INC.
2556 Barrington Court,
Hayward, CA 94545 USA
PH 800.672.2784
FAX 510.441.0401
<http://www.otl-america.com>