

TP44 TP65 TP85 TPA45



BID SPECIFICATIONS

STANDARD

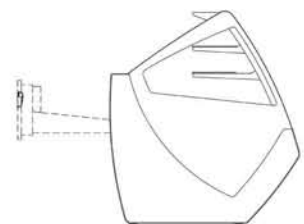
- * SELF-CONTAINED, AIR-COOLED CONDENSING UNIT
- * UNIQUE FAN ASSISTED AIRFLOW DESIGN
- * GALVANIZED STEEL CHASSIS CONSTRUCTION
- * INSULATED WITH DENSE NON-CFC ECOLOGIC POLYURETHANE FOAM
- * INSIDE STRUCTURE MADE OF HIGH GLOSS 304 STAINLESS STEEL
- * ALL TEMPERED, DOUBLE PANE GLASS FRONT AND SIDES
- * TILT BACK FRONT GLASS
- * REFRIGERATED DECK, NON-REFRIGERATED SHELVES
- * PULL-OUT DRAWER
- * DIGITAL DIAGNOSTIC CONTROL SYSTEM WITH PROGRAMMABLE DEFROSTING
- * REAR PLEXIGLASS SLIDING DOORS
- * STAINLESS STEEL WORK SURFACE
- * SILVER ANODIZED ALUMINUM TRIM
- * MULTIPLEXING CAPABILITY WITH GELATO, PASTRY, DELI, AND CHOCOLATE CASE APPLICATIONS
- * THE STANDARD LIMITED WARRANTY INCLUDES:
5 YEAR COMPRESSOR; 1 YEAR PARTS; 90 DAYS LABOR

OPTIONAL

- * LED LIGHTING
- * CASTERS
- * GRANITE WORK SURFACE (OPERATOR SIDE)
- * REMOTE CONDENSING UNIT
- * FACTORY STANDARD MATTE WHITE FRONT AND SIDE PANELS



STANDARD END PANEL



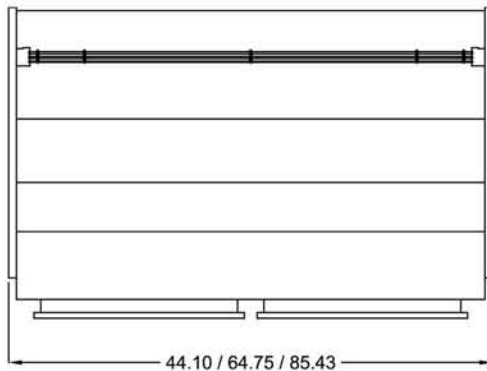
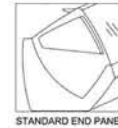
SHOWN WITH PULL OUT DRAWER

TECNICA (FORMERLY VENTURA XP II) Pastry Case Technical Specifications

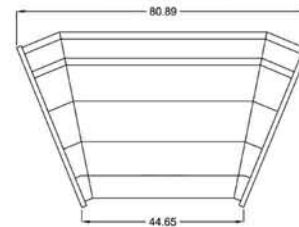
Same as Deli Refrigerated Case. but includes drawer

Model no.	Factory Codes	Case Height	* Case Lengths	Case Depth	Crated Weights (lb)	Line Voltage	Breaker Size	Amp Draw	Working Temp F	Comp. HP	Shelves
TP44	RVC 2M	53.35"	44.10"	47.75"	590	220/1/60	20amps	12	38-41	1/2 HP	2
TP65	RVC 3M	53.35"	64.75"	47.75"	745	220/1/60	20amps	12	38-41	1/2 HP	2
TP85	RVC 4M	53.35"	85.43"	47.75"	950	220/1/60	20amps	12	38-41	3/4 HP	2
TPA45	RVC A45	53.35"	* A & B *	47.75"	565	220/1/60	20amps	12	38-41	1/2 HP	2

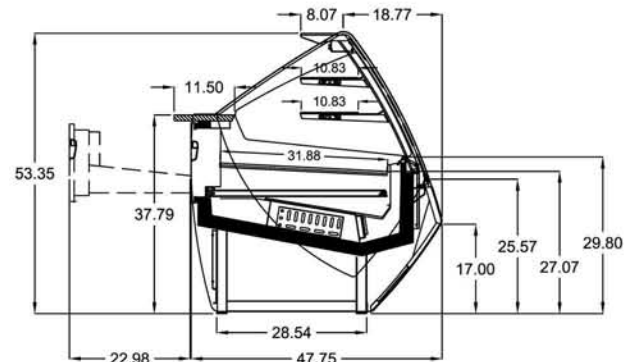
* Case length with standard end panels



A - Customer Side
TPA45 = 80.89"



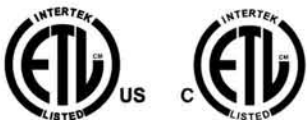
B - Server Side
TPA45 = 44.65"



PLAN & REAR VIEW

A45 PLAN VIEW & SIDE VIEW

LISTINGS:



ELECTRICAL CONNECTION

Display cases are shipped with applicable junction box for hardwired installation
Options exist for several NEMA configurations
Plug and/or receptacle configurations are at the discretion of the electrical installer

NOTE:

Required ambient conditions: 75°F; 55% RH
Drawing and Specifications are subject to change without notice

CLABO USA INC.
2556 Barrington Court,
Hayward, CA 94545 USA
PH 800.672.2784
FAX 510.441.0401
<http://www.otl-america.com>