

C50

C60



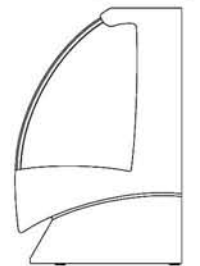
### BID SPECIFICATIONS

STANDARD

- \* LED LIGHTING
- \* DOUBLE PANE GLASS FRONT AND SIDES
- \* DOUBLE PANE SLIDING BACK GLASS DOORS
- \* HYDRAULIC LIFT UP FRONT GLASS
- \* BACK & INSIDE STRUCTURE MADE OF HIGH GLOSS 304 STAINLESS STEEL
- \* DIGITAL DIAGNOSTIC CONTROL SYSTEM WITH PROGRAMMABLE DEFROSTING
- \* GALVANIZED STEEL CHASSIS CONSTRUCTION
- \* INSULATED WITH DENSE NON-CFC ECOLOGIC POLYURETHANE FOAM
- \* SELF CONTAINED AIR-COOLED CONDENSING UNIT
- \* UNIQUE FAN ASSISTED AIRFLOW DESIGN
- \* SILVER ANODIZED ALUMINUM FINISH

- \* DIGITAL HUMIDITY CONTROL SYSTEM
- \* MULTIPLEXING CAPABILITY WITH GELATO, PASTRY, DELI, AND CHOCOLATE CASE APPLICATIONS
- \* THE STANDARD LIMITED WARRANTY INCLUDES: 5 YEAR COMPRESSOR: 1 YEAR PARTS AND LABOR

Easy Delivery

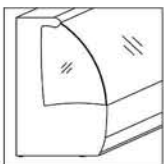


Only 35.25" Deep

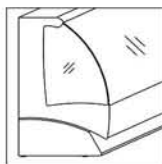
OPTIONAL

- \* CASTERS
- \* REMOTE CONDENSING UNIT
- \* PLEXIGLASS SHELF PRODUCT GUARD
- \* REAR AIR INTAKE AND DISCHARGE
- \* DECORATIVE END PANELS

- \* FACTORY STANDARD MATTE WHITE FRONT AND SIDE PANELS



STANDARD END PANEL



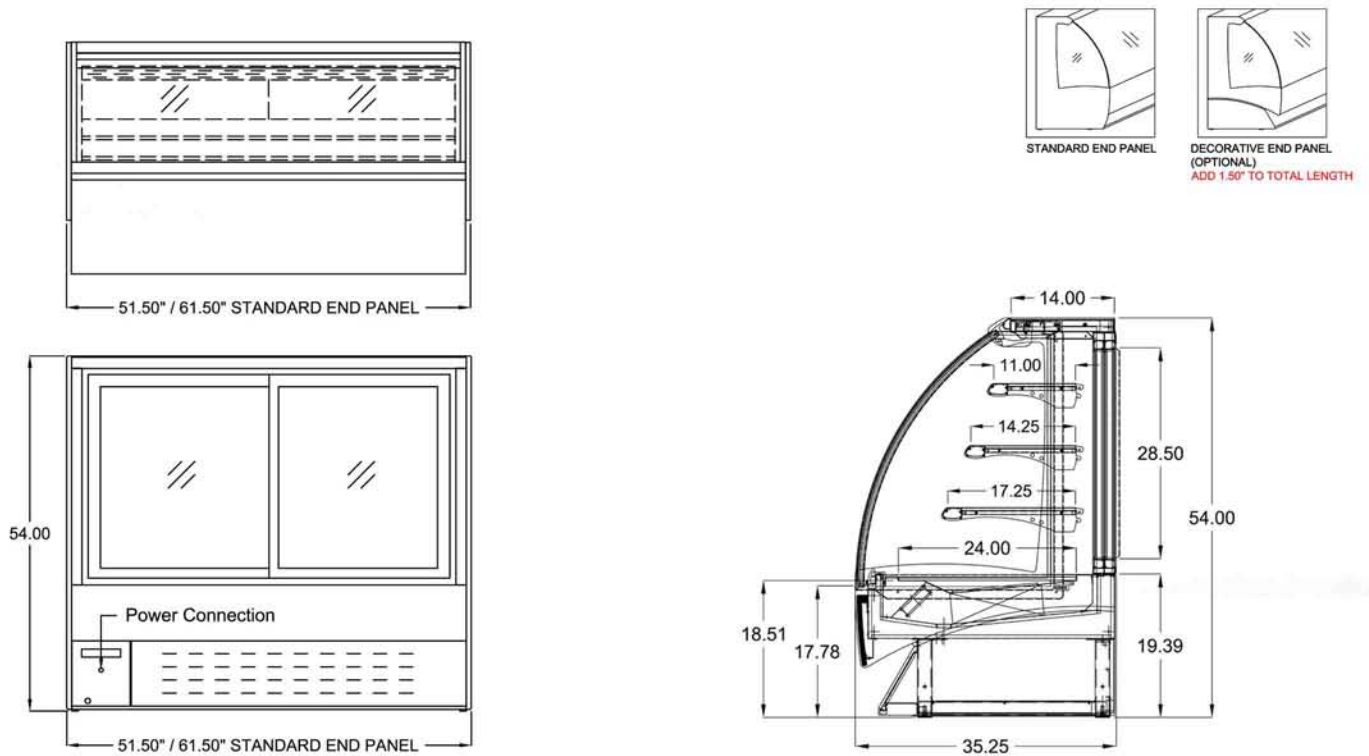
DECORATIVE END PANEL (OPTIONAL)  
ADD 1.50" TO TOTAL LENGTH

## Italiana Refrigerated Chocolate Case Technical Specifications

Special Order ONLY

Models	Case Height	* Case Lengths	Depth	Crated Weights (lb)	Line Voltage	Breaker Size	Amp Draws	Working Temp F	Comp. HP
C50	54.00"	51.50"	35.25"	973	115/1/60	20 amp	10	57	1/2 HP
C60	54.00"	61.50"	35.25"	1061	115/1/60	20 amp	12	57	3/4 HP

\* Case lengths are specified with standard end panels



PLAN & REAR VIEW

SIDE VIEW

### LISTINGS:



### ELECTRICAL CONNECTION:

Display cases are shipped with applicable junction box for hardwired installation  
Options exist for several NEMA configuration  
Plug and/or receptacle configurations are the discretion the electrical installer

### NOTE:

Required ambient conditions: 75°F; 55% RH  
Drawing and Specifications are subject to change without notice

CLABO USA INC.  
2556 Barrington Court,  
Hayward, CA 94545 USA  
PH 800.672.2784  
FAX 510.441.0401  
<http://www.otl-america.com>