

TNCOMBI40

TNCOMBI50

TNCOMBI60



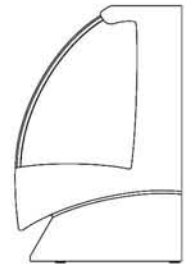
### BID SPECIFICATIONS

STANDARD

- \* LED LIGHTING
- \* DOUBLE PANE TOP SLIDING GLASS BACK DOOR
- \* DOUBLE PANE GLASS FRONT AND SIDES
- \* HYDRAULIC LIFT UP FRONT GLASS ON TOP SECTION
- \* BACK & INSIDE STRUCTURE MADE OF HIGH GLOSS 304 STAINLESS STEEL
- \* DIGITAL DIAGNOSTIC CONTROL SYSTEM WITH PROGRAMMABLE DEFROSTING
- \* GALVANIZED STEEL CHASSIS CONSTRUCTION
- \* INSULATED WITH DENSE NON-CFC ECOLOGIC POLYURETHANE FOAM
- \* SELF CONTAINED AIR-COOLED CONDENSING UNIT

- \* UNIQUE FAN ASSISTED AIRFLOW DESIGN
- \* SILVER ANODIZED ALUMINUM FINISH
- \* STAINLESS STEEL, TIERED DECK
- \* MULTIPLEXING CAPABILITY WITH GELATO, PASTRY, DELI, AND CHOCOLATE CASE APPLICATIONS
- \* THE STANDARD LIMITED WARRANTY INCLUDES:  
5 YEAR COMPRESSOR: 1 YEAR PARTS AND LABOR

Easy Delivery

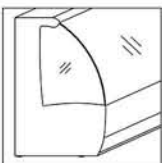


Only 35.25" Deep

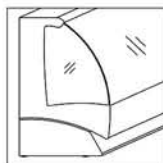
OPTIONAL

- \* CASTERS
- \* REMOTE CONDENSING UNIT
- \* PLEXIGLASS PRODUCT SHELF GUARD
- \* REAR AIR INTAKE AND DISCHARGE (TNCOMBI50 & TNCOMBI60)
- \* FOLD DOWN CUTTING BOARD / WORK TOP (10" DEPTH)
- \* DECORATIVE END PANELS

- \* FACTORY STANDARD MATTE WHITE FRONT AND SIDE PANELS



STANDARD END PANEL



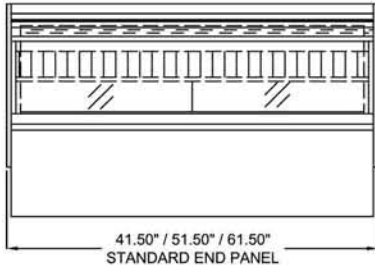
DECORATIVE END PANEL (OPTIONAL)  
ADD 1.50" TO TOTAL LENGTH

### Italiana Grab-N-Go Combi Case Technical Specifications

Refrigerated Deli / Pastry Service on Self Service: "TN"

Models	Case Height	* Case Lengths	Depth	Crated Weights (lb)	Line Voltage	Breaker Size	Amp Draws	Working Temp F	Comp. HP
TNCOMBI40	54.00"	41.50"	35.25"	860	115/1/60	30 amp	10	38-41	1/2 HP
TNCOMBI50	54.00"	51.50"	35.25"	973	115/1/60	30 amp	12	38-41	1/2 HP
TNCOMBI60	54.00"	61.50"	35.25"	1061	115/1/60	30 amp	12	38-41	3/4 HP

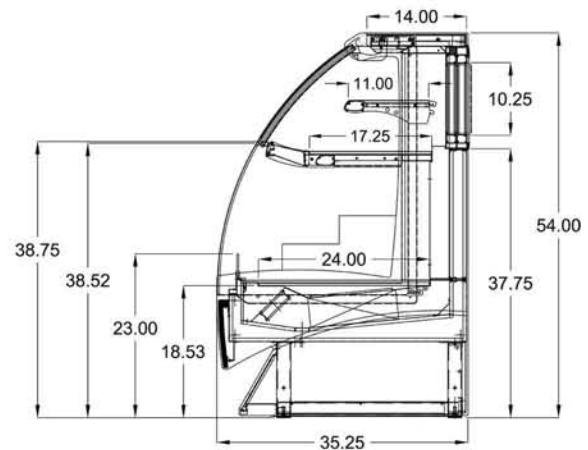
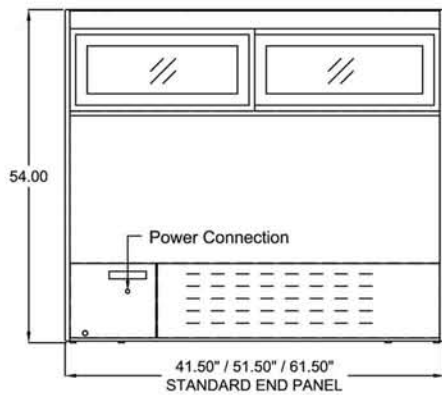
\* Case lengths are specified with standard end panels



STANDARD END PANEL



DECORATIVE END PANEL (OPTIONAL)  
ADD 1.50\"/>



PLAN & REAR VIEW

SIDE VIEW

#### LISTINGS:



#### ELECTRICAL CONNECTION:

Display cases are shipped with applicable junction box for hardwired installation  
Options exist for several NEMA configurations  
Plug and/or receptacle configurations are at the discretion of the electrical installer

#### NOTE:

Required ambient conditions: 75°F; 55% RH  
Drawing and Specifications are subject to change without notice

CLABO USA INC.  
2556 Barrington Court,  
Hayward, CA 94545 USA  
PH 800.672.2784  
FAX 510.441.0401  
<http://www.otl-america.com>