



Dual Use Display (OPTIONAL)



RAISED DISPLAY



HIDDEN DISPLAY

BID SPECIFICATIONS

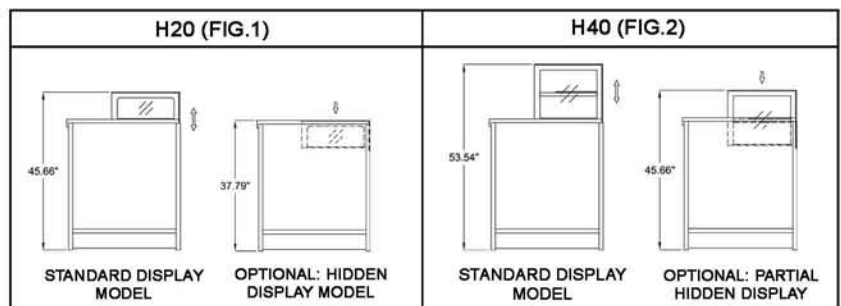
STANDARD

- * MATCHES LA ROSSA DISPLAY LINE AND COUNTERS
- * H20: SINGLE REFRIGERATED DECK DISPLAY (FIG.1)
- * H40: REFRIGERATED DECK DISPLAY WITH NON-REFRIGERATED SHELF (FIG.2)
- * LED STANDARD LIGHTING
- * ALL TEMPERED, DOUBLE PANE GLASS ON FRONT AND SIDES
- * CHASSIS CONSTRUCTION MADE OF ANODIZED ALUMINUM
- * INSULATED WITH DENSE NON-CFC ECOLOGIC POLYURETHANE FOAM
- * INSIDE STRUCTURE MADE OF HIGH GLOSS 304 STAINLESS STEEL

- * STAINLESS STEEL WORK SURFACE
- * REMOVABLE STAINLESS STEEL DECK
- * REAR PLEXIGLASS SLIDING DOORS
- * MULTIPLEXING CAPABILITY WITH PASTRY, DELI, AND CHOCOLATE CASE APPLICATIONS
- * DISPLAY CASE(S) TO BE SHIPPED FULLY ASSEMBLED
- * THE STANDARD LIMITED WARRANTY INCLUDES:
1 YEAR PARTS; 90 DAYS LABOR
- * DISPLAY CASE(S) TO BE LABORATORY CERTIFIED AS DESCRIBED

OPTIONAL

- * H20: DUAL USE DISPLAY COUNTER WITH HIDDEN DISPLAY OPTION (FIG.1)
- * H40: DUAL USE DISPLAY COUNTER WITH PARTIAL HIDDEN DISPLAY (FIG.2)
- * HYDRAULIC LIFT DISPLAY CAPACITY 45LBS.
- * TOP FOG GLASS
- * CASTERS
- * GRANITE WORK SURFACE (OPERATOR SIDE)
- * REMOTE CONDENSING UNIT

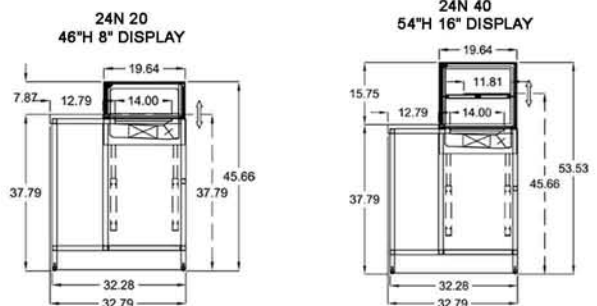
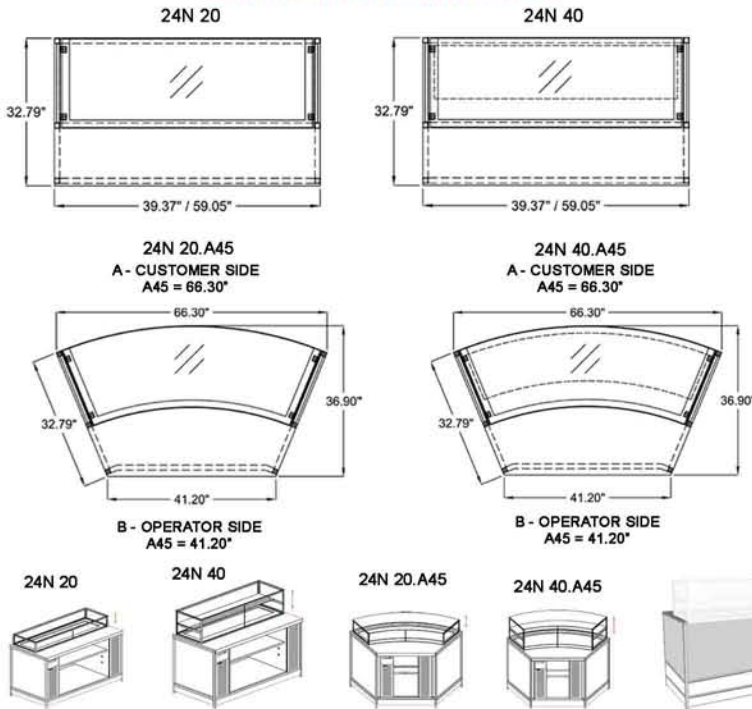


24h Bianca Neutral Technical Specifications

Model no.	Case Heights	Case Lengths (Option #1)	Case Depth (Option #1)	Case Lengths (Option #2)	Case Depth (Option #2)	Crated Weights (lb)	Line Voltage	Amp Draws	Shelf
C87-24N 20.10	37.79" - 45.66"	39.36"	32.79"	40.86"	36.79"	437	220/1/60	2	---
C87-24N 20.15	37.79" - 45.66"	59.05"	32.79"	60.55"	36.79"	608	220/1/60	2	---
C87-24N 20.A45	37.79" - 45.66"	* A & B *	32.79"	* A & B *	36.79"	710	220/1/60	2	---
C87-24N 40.10	45.66" - 53.53"	39.36"	32.79"	40.86"	36.79"	465	220/1/60	2	1
C87-24N 40.15	45.66" - 53.53"	59.05"	32.79"	60.55"	36.79"	637	220/1/60	2	1
C87-24N 40.A45	45.66" - 53.53"	* A & B *	32.79"	* A & B *	36.79"	780	220/1/60	2	1

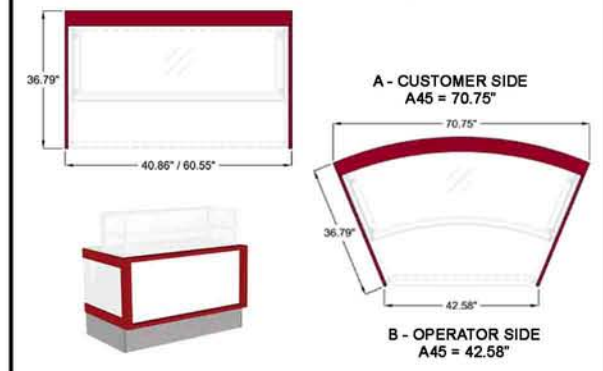
OPTION #1

DIMENSIONS WITHOUT PANELS



OPTION #2

DIMENSIONS WITH FACTORY STANDARD PANELS



PLAN VIEWS / SIDE VIEWS (SHOWN WITHOUT PANELS) / 3D VIEWS (FRONT & REAR)

LISTINGS:



ELECTRICAL CONNECTION:

Display cases are shipped with applicable junction box for hardwired installation
Options exist for several NEMA configurations
Plug and/or receptacle configurations are at the discretion of the electrical installer

NOTE:

Required ambient conditions: 75°F; 55% RH
Drawing and Specifications are subject to change without notice

CLABO USA INC.
2556 Barrington Court,
Hayward, CA 94545 USA
PH 800.672.2784
FAX 510.441.0401
<http://www.otl-america.com>