



### Dual Use Display (OPTIONAL)



RAISED DISPLAY



HIDDEN DISPLAY

#### BID SPECIFICATIONS

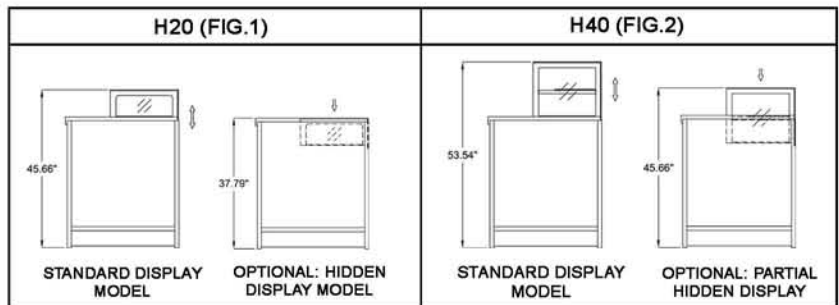
STANDARD

- \* MATCHES LA ROSSA DISPLAY LINE AND COUNTERS
- \* H20: SINGLE REFRIGERATED DECK DISPLAY (FIG.1)
- \* H40: REFRIGERATED DECK DISPLAY WITH NON-REFRIGERATED SHELF (FIG.2)
- \* LED STANDARD LIGHTING
- \* ALL TEMPERED, DOUBLE PANE GLASS ON FRONT AND SIDES
- \* CHASSIS CONSTRUCTION MADE OF ANODIZED ALUMINUM
- \* INSULATED WITH DENSE NON-CFC ECOLOGIC POLYURETHANE FOAM
- \* INSIDE STRUCTURE MADE OF HIGH GLOSS 304 STAINLESS STEEL
- \* STAINLESS STEEL WORK SURFACE

- \* REMOVABLE STAINLESS STEEL DECK
- \* DIGITAL DIAGNOSTIC CONTROL SYSTEM WITH PROGRAMMABLE DEFROSTING
- \* REAR PLEXIGLASS SLIDING DOORS
- \* SELF-CONTAINED, AIR-COOLED CONDENSING UNIT
- \* MULTIPLEXING CAPABILITY WITH PASTRY, DELI, AND CHOCOLATE CASE APPLICATIONS
- \* DISPLAY CASE(S) TO BE SHIPPED FULLY ASSEMBLED
- \* THE STANDARD LIMITED WARRANTY INCLUDES:  
5 YEAR COMPRESSOR; 1 YEAR PARTS; 90 DAYS LABOR
- \* DISPLAY CASE(S) TO BE LABORATORY CERTIFIED AS DESCRIBED

OPTIONAL

- \* H20: DUAL USE DISPLAY COUNTER WITH HIDDEN DISPLAY OPTION (FIG.1)
- \* H40: DUAL USE DISPLAY COUNTER WITH PARTIAL HIDDEN DISPLAY (FIG.2)
- \* HYDRAULIC LIFT DISPLAY CAPACITY 45LBS.
- \* TOP FOG GLASS
- \* CASTERS
- \* GRANITE WORK SURFACE (OPERATOR SIDE)
- \* REMOTE CONDENSING UNIT

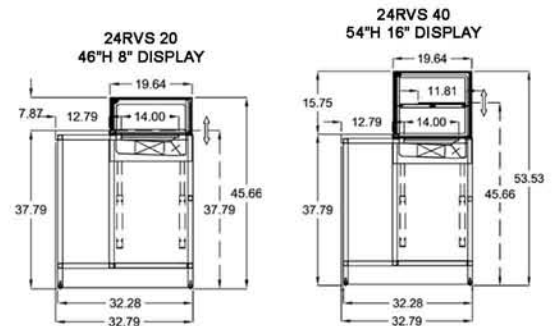
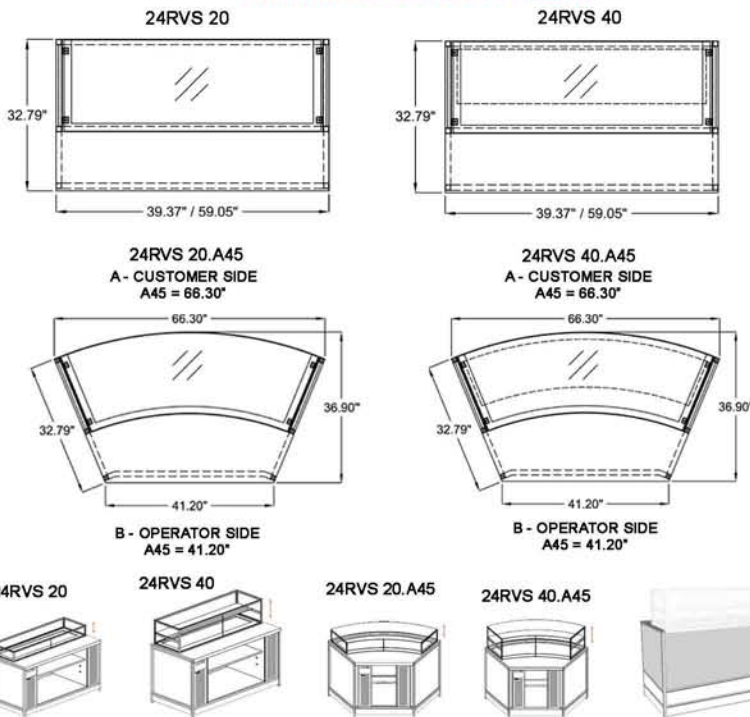


### 24h Bianca Pastry / Deli Technical Specifications

Model no.	Case Heights	Case Lengths (Option #1)	Case Depth (Option #1)	Case Lengths (Option #2)	Case Depth (Option #2)	Crated Weights (lb)	Line Voltage	Amp Draws	Working Temp F	Shelf
C83-24RVS 20.10	37.79" - 45.66"	39.36"	32.79"	40.86"	36.79"	551	220/1/60	7	38 - 41	---
C83-24RVS 20.15	37.79" - 45.66"	59.05"	32.79"	60.55"	36.79"	723	220/1/60	8	38 - 41	---
C83-24RVS 20.A45	37.79" - 45.66"	* A & B *	32.79"	* A & B *	36.79"	866	220/1/60	9	38 - 41	---
C83-24RVS 40.10	45.66" - 53.53"	39.36"	32.79"	40.86"	36.79"	580	220/1/60	8	38 - 41	1
C83-24RVS 40.15	45.66" - 53.53"	59.05"	32.79"	60.55"	36.79"	1037	220/1/60	9	38 - 41	1
C83-24RVS 40.A45	45.66" - 53.53"	* A & B *	32.79"	* A & B *	36.79"	894	220/1/60	10	38 - 41	1

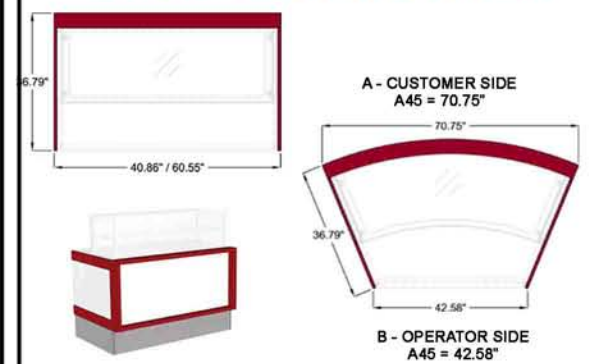
#### OPTION #1

#### DIMENSIONS WITHOUT PANELS



#### OPTION #2

#### DIMENSIONS WITH FACTORY STANDARD PANELS



### PLAN VIEWS / SIDE VIEWS (SHOWN WITHOUT PANELS) / 3D VIEWS (FRONT & REAR)

#### LISTINGS:



#### ELECTRICAL CONNECTION:

Display cases are shipped with applicable junction box for hardwired installation  
Options exist for several NEMA configurations  
Plug and/or receptacle configurations are at the discretion of the electrical installer

#### NOTE:

Required ambient conditions: 75°F; 55% RH  
Drawing and Specifications are subject to change without notice

CLABO USA INC.  
2556 Barrington Court,  
Hayward, CA 94545 USA  
PH 800.672.2784  
FAX 510.441.0401  
<http://www.otl-america.com>