

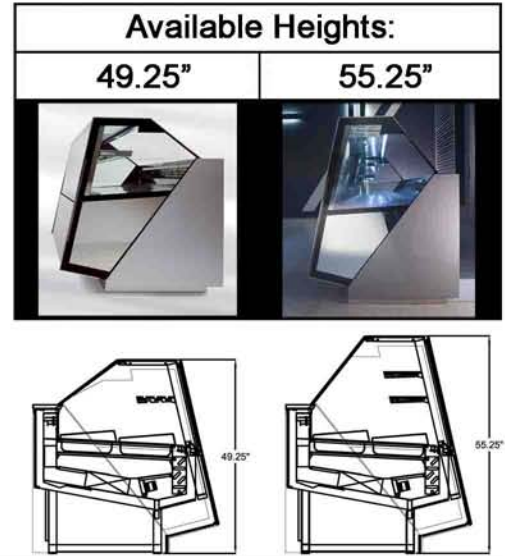
365ASC-43
365ASC-43T

365ASC-64
365ASC-64T

365ASC-85
365ASC-85T



**CONVERTS FROM GELATO
TO PASTRY**



BID SPECIFICATIONS

STANDARD

- CONVERTS FROM GELATO TO PASTRY/DELI
- * SELF-CONTAINED, AIR COOLED CONDENSING UNIT
- * LED LIGHTING STANDARD
- * GALVANIZED STEEL CHASSIS CONSTRUCTION
- * INSULATED / NON-CFC ECOLOGIC POLYURETHANE FOAM
- * INSIDE STRUCTURE / HIGH GLOSS 304 STAINLESS STEEL
- * DIGITAL, DIAGNOSTIC CONTROL / PROGRAMMABLE DEFROST
- * TEMPERED, DOUBLE PANE HEATED GLASS
- * HYDRAULIC TILT-BACK FRONT GLASS
- * REAR, PLEXIGLASS SLIDING DOORS
- * STANDARD SILVER LACQUERED SIDE PANELS

- * STANDARD, LOWER FRONT GLASS FACIA COLOR OPTIONS:
(BACK PAINTED GLASS)



- * MULTIPLEXING CAPABILITY: GELATO, PASTRY, DELI, NEUTRAL AND CHOCOLATE CASE APPLICATIONS
- * STANDARD WARRANTY: 5 YEAR COMPRESSOR;
1 YEAR PARTS; 90 DAYS LABOR

OPTIONAL

- * REAR SLIDING DOUBLE PANE GLASS DOORS
- * GRANITE BACK WORK SURFACE
- * CASTERS
- * OPTIONAL, RAL CUSTOM COLOR FRONT & SIDE PANELS

- * GELATO PANS NOT INCLUDED



365 All Season Convertible Case Technical Specifications

Converts from Low Temp Gelato to Med Temp Pastry

Model no.	Factory Codes	Case Heights	* Case Lengths	Case Depth	Crated Weights (lb)	Line Voltage	**Breaker Sizes	Amp Draws	Working Temp F	Pastry/Deli Working Temp	Pan Capacity		Comp. HP
											5 Liter	12 Liter	
365ASC-43	TS6	49.25"	43.08"	47.44"	723	220/1/60	30amps	16	-10 to +10	38-41	12	8	1 1/2 HP
365ASC-43T	TS6	55.25"	43.08"	47.44"	875	220/1/60	30amps	16	-10 to +10	38-41	12	8	1 1/2 HP
365ASC-64	TS9	49.25"	63.74"	47.44"	934	220/1/60	30amps	18	-10 to +10	38-41	18	12	2 HP
365ASC-64T	TS9	55.25"	63.74"	47.44"	723	220/1/60	30amps	18	-10 to +10	38-41	18	12	2 HP
365ASC-85	TS12	49.25"	84.41"	47.44"	875	220/1/60	30amps	20	-10 to +10	38-41	24	16	1 1/2x2 HP
365ASC-85T	TS12	55.25"	84.41"	47.44"	934	220/1/60	30amps	20	-10* to +10	38-41	24	16	1 1/2x2 HP

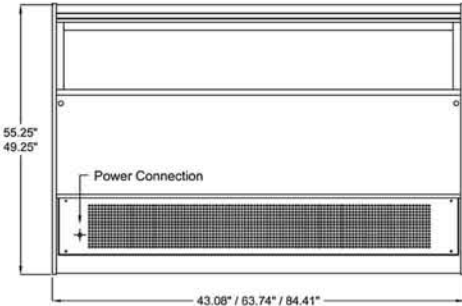
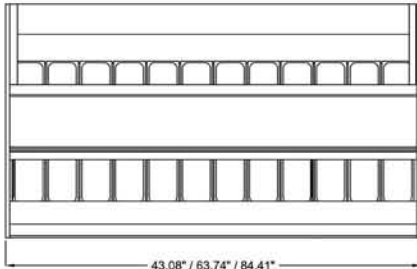
T = Tall (55.25" HIGH)

* Case lengths are specified with standard end panels

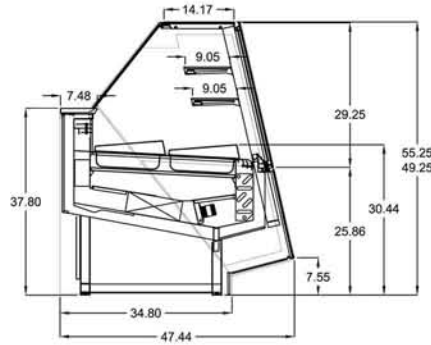
* Optional: Autodiagnosis & Touch Pad

** Dedicated service line

Factory Codes	Pan Layouts	Pan Sizes
---------------	-------------	-----------



2 SHELVES FOR "T" MODELS



G6		5 Liter
G6		12 Liter
G9		5 Liter
G9		12 Liter
G12		5 Liter
G12		12 Liter

PLAN & REAR VIEW

SIDE VIEW

LISTINGS:



ELECTRICAL CONNECTION:

Display cases are shipped with applicable junction box for hardwired installation
Options exist for several NEMA configurations
Plug and/or receptacle configurations are at the discretion of the electrical installer

NOTE:

Required ambient conditions: 75°F; 55% RH
Drawing and Specifications are subject to change without notice

CLABO USA INC.
2556 Barrington Court,
Hayward, CA 94545 USA
PH 800.672.2784
FAX 510.441.0401
<http://www.otl-america.com>