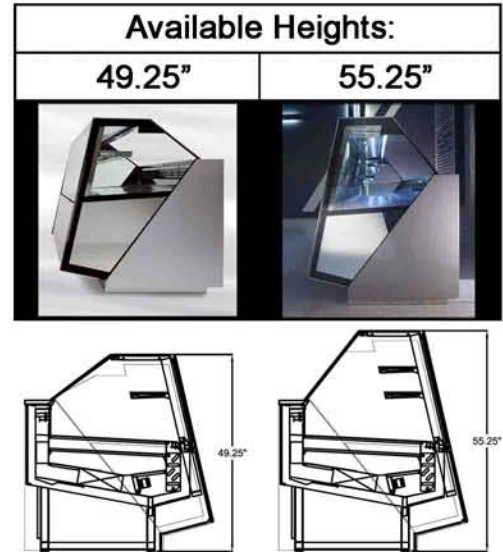


365D-43  
365D-43T

365D-64  
365D-64T

365D-85  
365D-85T



## BID SPECIFICATIONS

STANDARD

- \* SELF-CONTAINED, AIR COOLED CONDENSING UNIT
- \* LED LIGHTING STANDARD
- \* GALVANIZED STEEL CHASSIS CONSTRUCTION
- \* INSULATED / NON-CFC ECOLOGIC POLYURETHANE FOAM
- \* INSIDE STRUCTURE / HIGH GLOSS 304 STAINLESS STEEL
- \* DIGITAL, DIAGNOSTIC CONTROL / PROGRAMMABLE DEFROST
- \* TEMPERED, DOUBLE PANE GLASS
- \* HYDRAULIC TILT-BACK FRONT GLASS
- \* REAR, PLEXIGLASS SLIDING DOORS
- \* STANDARD SILVER LACQUERED SIDE PANELS

- \* STANDARD, LOWER FRONT GLASS FACIA COLOR OPTIONS:  
(BACK PAINTED GLASS)



- \* MULTIPLEXING CAPABILITY: GELATO, PASTRY, NEUTRAL, ALL SEASONS, AND CHOCOLATE CASE APPLICATIONS
- \* STANDARD WARRANTY: 5 YEAR COMPRESSOR;  
1 YEAR PARTS; 90 DAYS LABOR

OPTIONAL

- \* REAR SLIDING DOUBLE PANE GLASS DOORS
- \* GRANITE BACK WORK SURFACE
- \* CASTERS
- \* OPTIONAL, RAL CUSTOM COLOR FRONT & SIDE PANELS



## 365 Deli Refrigerated Case Technical Specifications

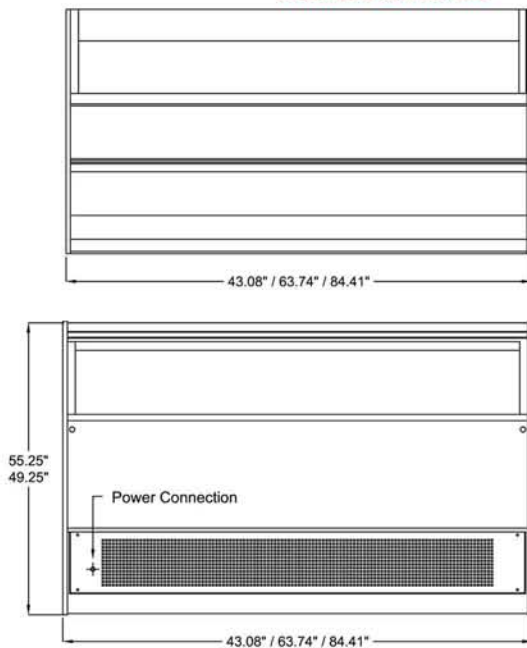
Same as Pastry, no drawer

Model no.	Factory Codes	Case Heights	* Case Lengths	Case Depth	Crated Weights (lb)	Line Voltage	**Breaker Size	Amp Draws	Working Temp F	Comp. HP	Shelves
365D-43	RVS 2M	49.25"	43.08"	47.44"	723	220/1/60	20amps	12	38-41	1/3 HP	1
365D-43T	RVS 2M	55.25"	43.08"	47.44"	875	220/1/60	20amps	12	38-41	1/3 HP	2
365D-64	RVS 3M	49.25"	63.74"	47.44"	934	220/1/60	20amps	14	38-41	1/2 HP	1
365D-64T	RVS 3M	55.25"	63.74"	47.44"	723	220/1/60	20amps	14	38-41	1/2 HP	2
365D-85	RVS 4M	49.25"	84.41"	47.44"	875	220/1/60	20amps	15	38-41	3/4 HP	1
365D-85T	RVS 4M	55.25"	84.41"	47.44"	934	220/1/60	20amps	15	38-41	3/4 HP	2

T = Tall (55.25 HIGH)

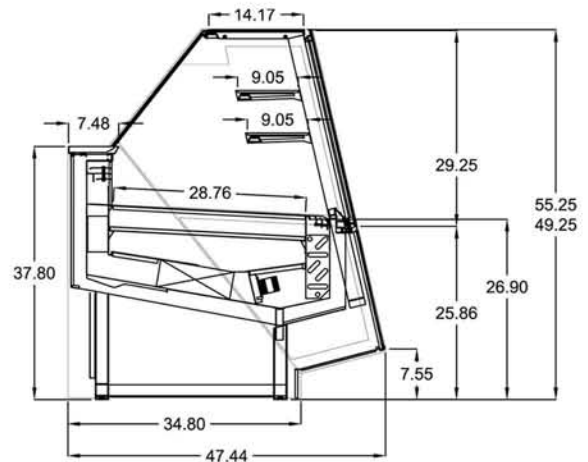
\* Case lengths are specified with standard end panels

\*\* Dedicated service line



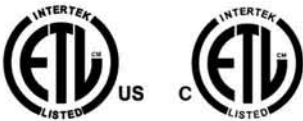
PLAN & REAR VIEW

2 SHELVES FOR "T" MODELS



SIDE VIEW

### LISTINGS:



### ELECTRICAL CONNECTION:

Display cases are shipped with applicable junction box for hardwired installation  
Options exist for several NEMA configurations  
Plug and/or receptacle configurations are at the discretion of the electrical installer

### NOTE:

Required ambient conditions: 75°F; 55% RH  
Drawing and Specifications are subject to change without notice

CLABO USA INC.  
2556 Barrington Court,  
Hayward, CA 94545 USA  
PH 800.672.2784  
FAX 510.441.0401  
<http://www.otl-america.com>