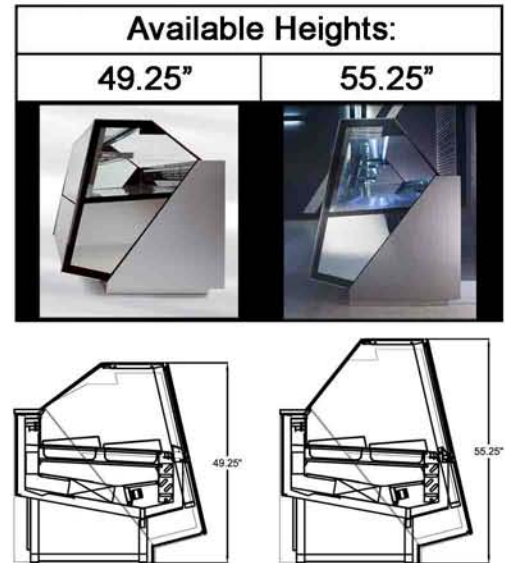


365G-43
365G-43T

365G-64
365G-64T

365G-85
365G-85T



BID SPECIFICATIONS

STANDARD

- * SELF-CONTAINED, AIR COOLED CONDENSING UNIT
- * HOT GAS DEFROST
- * LED LIGHTING STANDARD
- * GALVANIZED STEEL CHASSIS CONSTRUCTION
- * INSULATED / NON-CFC ECOLOGIC POLYURETHANE FOAM
- * INSIDE STRUCTURE / HIGH GLOSS 304 STAINLESS STEEL
- * DIGITAL, DIAGNOSTIC CONTROL / PROGRAMMABLE DEFROST
- * TEMPERED, DOUBLE PANE HEATED GLASS
- * HYDRAULIC TILT-BACK FRONT GLASS
- * REAR, PLEXIGLASS SLIDING DOORS
- * STANDARD SILVER LACQUERED SIDE PANELS

- * STANDARD, LOWER FRONT GLASS FACIA COLOR OPTIONS:
(BACK PAINTED GLASS)



- * MULTIPLEXING CAPABILITY: GELATO, PASTRY, DELI AND CHOCOLATE CASE APPLICATIONS
- * STANDARD WARRANTY: 5 YEAR COMPRESSOR;
1 YEAR PARTS; 90 DAYS LABOR

OPTIONAL

- * REAR SLIDING DOUBLE PANE GLASS DOORS
- * GRANITE BACK WORK SURFACE
- * CASTERS
- * OPTIONAL, RAL CUSTOM COLOR FRONT & SIDE PANELS

- * GELATO PANS NOT INCLUDED



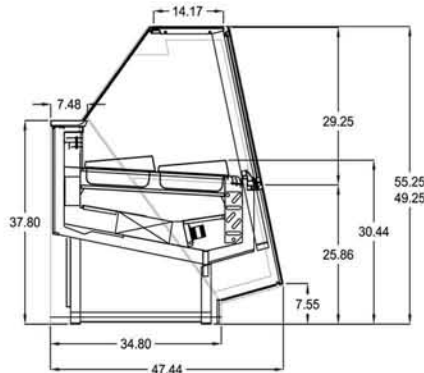
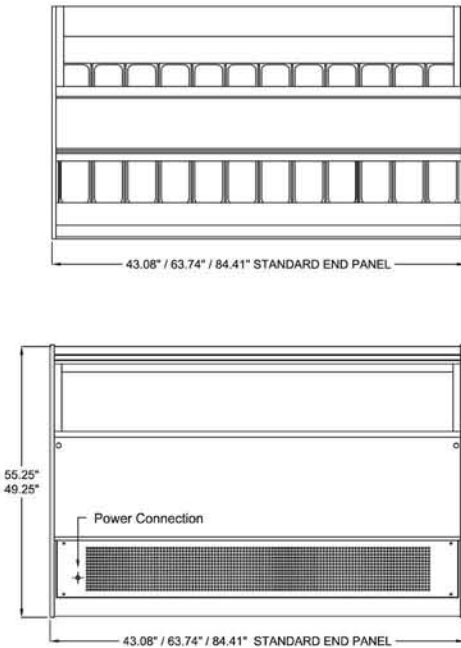
365 Gelato / Ice Cream Case Technical Specifications

Model no.	Factory Codes	Case Heights	* Case Lengths	Case Depth	Crated Weights (lb)	Line Voltage	** Breaker Sizes	Amp Draws	BTUs		Pan Capacity		Comp. HP
									-20 Evap Temp (R404a)	Working Temp F	5 Liter	12 Liter	
365G-43	G6	49.25"	43.08"	47.44"	723	220/1/60	20amps	12	5300	-10 to +10	12	8	1 1/2 HP
365G-43T	G6	55.25"	43.08"	47.44"	875	220/1/60	20amps	12	5300	-10 to +10	12	8	1 1/2 HP
365G-64	G9	49.25"	63.74"	47.44"	934	220/1/60	30amps	14	7900	-10 to +10	18	12	2 HP
365G-64T	G9	55.25"	63.74"	47.44"	723	220/1/60	30amps	14	7900	-10 to +10	18	12	2 HP
365G-85	G12	49.25"	84.41"	47.44"	875	220/1/60	30amps	14	9900	-10 to +10	24	16	1 1/2x2 HP
365G-85T	G12	55.25"	84.41"	47.44"	934	220/1/60	30amps	14	9900	-10 to +10	24	16	1 1/2x2 HP

T = Tall (55.25" HIGH)

* Case lengths are specified with standard end panels

** Dedicated service line



Factory Codes	Pan Layouts	Pan Sizes
G6		5 Liter
G6		12 Liter
G9		5 Liter
G9		12 Liter
G12		5 Liter
G12		12 Liter

PLAN & REAR VIEW

SIDE VIEW

LISTINGS:



ELECTRICAL CONNECTION:

Display cases are shipped with applicable junction box for hardwired installation
Options exist for several NEMA configurations
Plug and/or receptacle configurations are at the discretion of the electrical installer

NOTE:

Required ambient conditions: 75°F; 55% RH
Drawing and Specifications are subject to change without notice

CLABO USA INC.
2556 Barrington Court,
Hayward, CA 94545 USA
PH 800.672.2784
FAX 510.441.0401
<http://www.otl-america.com>