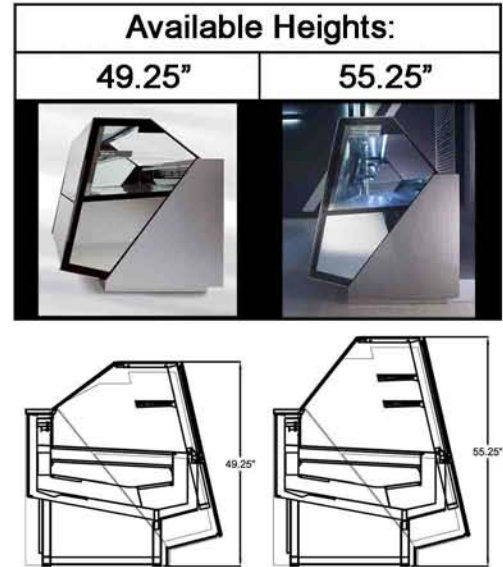


365N-30EXT  
365N-30EXT-T

365N-30INT  
365N-30INT-T

365N-45EXT  
365N-45EXT-T



### BID SPECIFICATION

STANDARD

- \* LED LIGHTING STANDARD
- \* GALVANIZED STEEL CHASSIS CONSTRUCTION
- \* INSULATED / NON-CFC ECOLOGIC POLYURETHANE FOAM
- \* INSIDE STRUCTURE / HIGH GLOSS 304 STAINLESS STEEL
- \* TEMPERED, DOUBLE PANE GLASS
- \* HYDRAULIC TILT-BACK FRONT GLASS
- \* REAR, PLEXIGLASS SLIDING DOORS
- \* STANDARD SILVER LACQUERED SIDE PANELS

- \* STANDARD, LOWER FRONT GLASS FACIA COLOR OPTIONS:  
(BACK PAINTED GLASS)



- \* MULTIPLEXING CAPABILITY: GELATO, PASTRY, DELI, ALL SEASONS AND CHOCOLATE CASE APPLICATIONS
- \* STANDARD WARRANTY: 5 YEAR COMPRESSOR;  
1 YEAR PARTS; 90 DAYS LABOR

OPTIONAL

- \* GRANITE BACK WORK SURFACE
- \* CASTERS
- \* OPTIONAL, RAL CUSTOM COLOR FRONT & SIDE PANELS



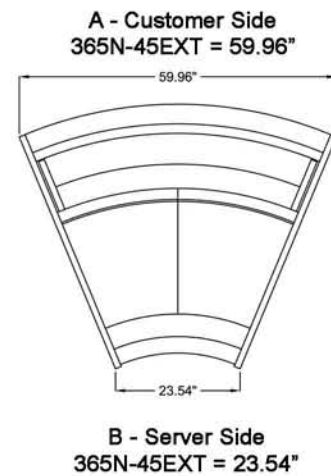
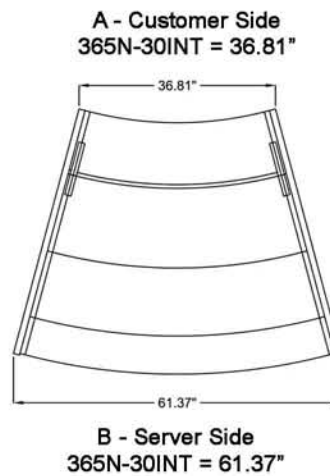
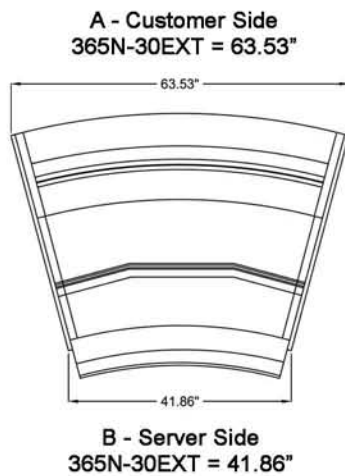
## 365 Neutral Curved Case Technical Specifications

Model no.	Factory Codes	Case Heights	* Case Lengths	Case Depth	Crated Weights (lb)	Line Voltage	**Breaker Size	Amp Draw	Working Temp F	Shelves
365N-30EXT	N30A	49.25"	* A & B *	47.44"	723	115/1/60	20amps	5	Ambient	1
365N-30EXT-T	N30A	55.25"	* A & B *	47.44"	875	115/1/60	20amps	5	Ambient	2
365N-30INT	N30C	49.25"	* A & B *	47.44"	934	115/1/60	20amps	5	Ambient	1
365N-30INT-T	N30C	55.25"	* A & B *	47.44"	723	115/1/60	20amps	5	Ambient	2
365N-45EXT	N45A	49.25"	* A & B *	47.44"	875	115/1/60	20amps	5	Ambient	1
365N-45EXT-T	N45A	55.25"	* A & B *	47.44"	934	115/1/60	20amps	5	Ambient	2

T = Tall (55.25" HIGH)

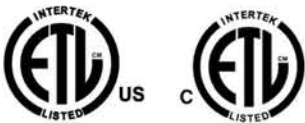
\* Case lengths are specified with standard end panels

\*\* Dedicated service line



## PLAN / TOP VIEWS OF CURVED CASES

### LISTINGS:



### ELECTRICAL CONNECTION:

Display cases are shipped with applicable junction box for hardwired installation  
Options exist for several NEMA configurations  
Plug and/or receptacle configurations are at the discretion of the electrical installer

### NOTE:

Required ambient conditions: 75°F; 55% RH  
Drawing and Specifications are subject to change without notice

CLABO USA INC.  
2556 Barrington Court,  
Hayward, CA 94545 USA  
PH 800.672.2784  
FAX 510.441.0401  
<http://www.otl-america.com>