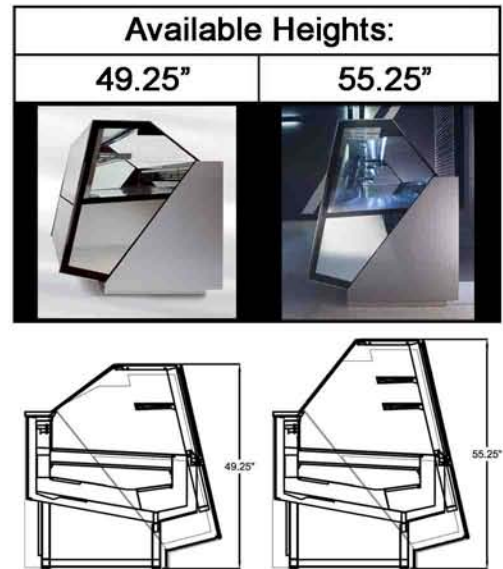


365N-43
365N-43T

365N-64
365N-64T

365N-85
365N-85T



BID SPECIFICATIONS

STANDARD

- * LED LIGHTING STANDARD
- * GALVANIZED STEEL CHASSIS CONSTRUCTION
- * INSULATED / NON-CFC ECOLOGIC POLYURETHANE FOAM
- * INSIDE STRUCTURE / HIGH GLOSS 304 STAINLESS STEEL
- * TEMPERED, DOUBLE PANE GLASS
- * HYDRAULIC TILT-BACK FRONT GLASS
- * REAR, PLEXIGLASS SLIDING DOORS
- * STANDARD SILVER LACQUERED SIDE PANELS

- * STANDARD, LOWER FRONT GLASS FACIA COLOR OPTIONS:
(BACK PAINTED GLASS)



- * MULTIPLEXING CAPABILITY: GELATO, PASTRY, DELI, ALL SEASONS AND CHOCOLATE CASE APPLICATIONS
- * STANDARD WARRANTY: 5 YEAR COMPRESSOR;
1 YEAR PARTS; 90 DAYS LABOR

OPTIONAL

- * REAR SLIDING DOUBLE PANE GLASS DOORS
- * GRANITE BACK WORK SURFACE
- * CASTERS
- * OPTIONAL, RAL CUSTOM COLOR FRONT & SIDE PANELS



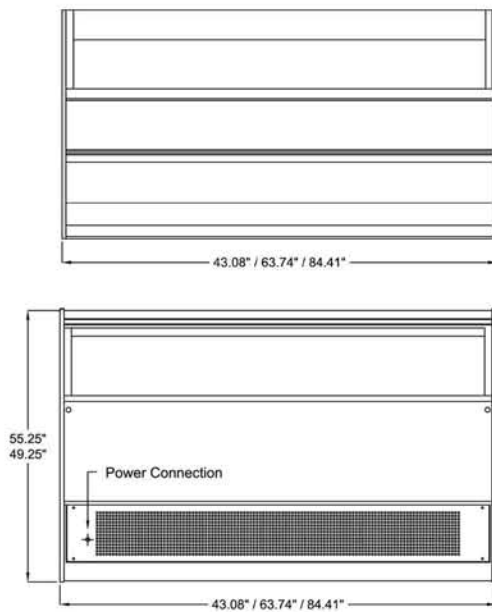
365 Neutral Technical Specifications

Model no.	Factory Codes	Case Heights	* Case Lengths	Case Depth	Crated Weights (lb)	Line Voltage	** Breaker Size	Amp Draws	Working Temp F	Shelves
365N-43	NS 2M	49.25"	43.08"	47.44"	723	115/1/60	20amps	5	Ambient	1
365N-43T	NS 2M	55.25"	43.08"	47.44"	875	115/1/60	20amps	5	Ambient	2
365N-64	NS 3M	49.25"	63.74"	47.44"	934	115/1/60	20amps	5	Ambient	1
365N-64T	NS 3M	55.25"	63.74"	47.44"	723	115/1/60	20amps	5	Ambient	2
365N-85	NS 4M	49.25"	84.41"	47.44"	875	115/1/60	20amps	5	Ambient	1
365N-85T	NS 4M	55.25"	84.41"	47.44"	934	115/1/60	20amps	5	Ambient	2

T = Tall (55.25" HIGH)

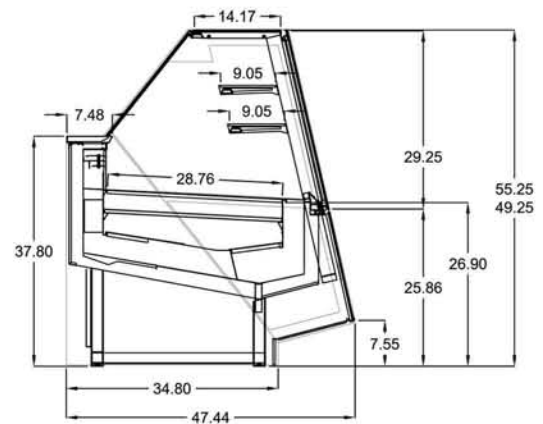
* Case lengths are specified with standard end panels

** Dedicated service line



PLAN & REAR VIEW

2 SHELVES FOR "T" MODELS



SIDE VIEW

LISTINGS:



ELECTRICAL CONNECTION:

Display cases are shipped with applicable junction box for hardwired installation
 Options exist for several NEMA configurations
 Plug and/or receptacle configurations are at the discretion of the electrical installer

NOTE:

Required ambient conditions: 75°F; 55% RH
 Drawing and Specifications are subject to change without notice

CLABO USA INC.
 2556 Barrington Court,
 Hayward, CA 94545 USA
 PH 800.672.2784
 FAX 510.441.0401
<http://www.otl-america.com>