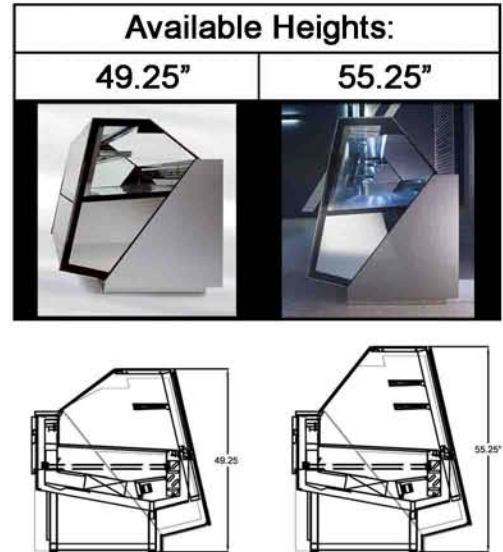


365P-30EXT
365P-30EXT-T

365P-30INT
365P-30INT-T

365P-45EXT
365P-45EXT-T



BID SPECIFICATIONS

STANDARD

- * SELF-CONTAINED, AIR COOLED CONDENSING UNIT
- * LED LIGHTING STANDARD
- * GALVANIZED STEEL CHASSIS CONSTRUCTION
- * INSULATED / NON-CFC ECOLOGIC POLYURETHANE FOAM
- * INSIDE STRUCTURE / HIGH GLOSS 304 STAINLESS STEEL
- * DIGITAL, DIAGNOSTIC CONTROL / PROGRAMMABLE DEFROST
- * TEMPERED, DOUBLE PANE GLASS
- * HYDRAULIC TILT-BACK FRONT GLASS
- * REAR, PLEXIGLASS SLIDING DOORS
- * STANDARD SILVER LACQUERED SIDE PANELS

- * STANDARD, LOWER FRONT GLASS FACIA COLOR OPTIONS:
(BACK PAINTED GLASS)



- * MULTIPLEXING CAPABILITY: GELATO, NEUTRAL, DELI, ALL SEASONS AND CHOCOLATE CASE APPLICATIONS
- * STANDARD WARRANTY: 5 YEAR COMPRESSOR;
1 YEAR PARTS; 90 DAYS LABOR

OPTIONAL

- * GRANITE BACK WORK SURFACE
- * CASTERS
- * OPTIONAL, RAL CUSTOM COLOR FRONT & SIDE PANELS



365 Pastry Curved Refrigerated Case Technical Specifications

Same as Deli, with drawer

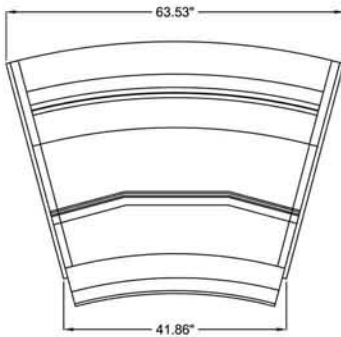
Model no.	Factory Codes	Case Heights	* Case Lengths	Case Depth	Crated Weights (lb)	Line Voltage	**Breaker Size	Amp Draw	Working Temp F	Comp. HP	Shelves
365P-30EXT	RVS 30A	49.25"	* A & B *	47.44"	723	220/1/60	20amps	12	38-41	1/3 HP	1
365P-30EXT-T	RVS 30A	55.25"	* A & B *	47.44"	875	220/1/60	20amps	12	38-41	1/3 HP	2
365P-30INT	RVS 30C	49.25"	* A & B *	47.44"	934	220/1/60	20amps	14	38-41	1/3 HP	1
365P-30INT-T	RVS 30C	55.25"	* A & B *	47.44"	723	220/1/60	20amps	14	38-41	1/3 HP	2
365P-45EXT	RVS 45A	49.25"	* A & B *	47.44"	875	220/1/60	20amps	15	38-41	1/3 HP	1
365P-45EXT-T	RVS 45A	55.25"	* A & B *	47.44"	934	220/1/60	20amps	15	38-41	1/3 HP	2

T = Tall (55.25" HIGH)

* Case lengths are specified with standard end panels

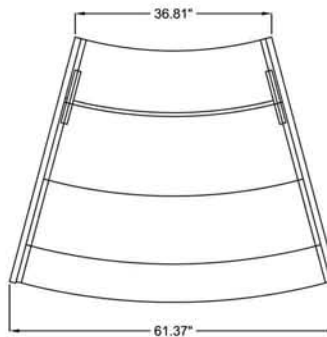
** Dedicated service line

A - Customer Side
365P-30EXT = 63.53"



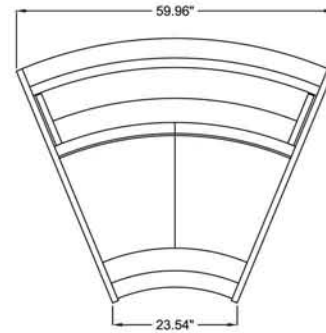
B - Server Side
365P-30EXT = 41.86"

A - Customer Side
365P-30INT = 36.81"



B - Server Side
365P-30INT = 61.37"

A - Customer Side
365P-45EXT = 59.96"



B - Server Side
365P-45EXT = 23.54"

PLAN / TOP VIEWS OF CURVED CASES

LISTINGS:



ELECTRICAL CONNECTION:

Display cases are shipped with applicable junction box for hardwired installation
Options exist for several NEMA configurations
Plug and/or receptacle configurations are at the discretion of the electrical installer

NOTE:

Required ambient conditions: 75°F; 55% RH
Drawing and Specifications are subject to change without notice

CLABO USA INC.
2556 Barrington Court,
Hayward, CA 94545 USA
PH 800.672.2784
FAX 510.441.0401
<http://www.otl-america.com>