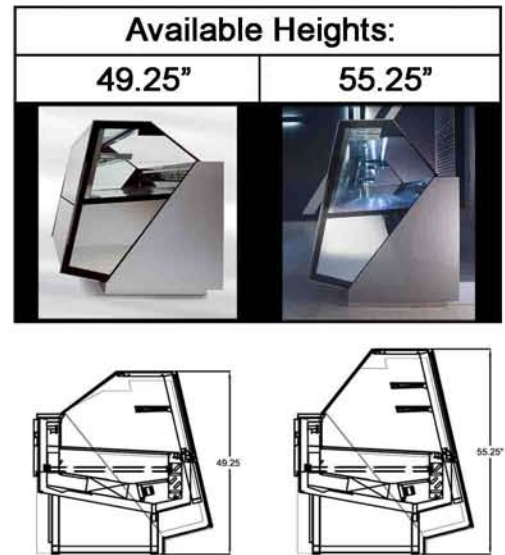


365P-43
365P-43T

365P-64
365P-64T

365P-85
365P-85T



BID SPECIFICATIONS

STANDARD

- * SELF-CONTAINED, AIR COOLED CONDENSING UNIT
- * LED LIGHTING STANDARD
- * GALVANIZED STEEL CHASSIS CONSTRUCTION
- * INSULATED / NON-CFC ECOLOGIC POLYURETHANE FOAM
- * INSIDE STRUCTURE / HIGH GLOSS 304 STAINLESS STEEL
- * DIGITAL, DIAGNOSTIC CONTROL / PROGRAMMABLE DEFROST
- * TEMPERED, DOUBLE PANE GLASS
- * HYDRAULIC TILT-BACK FRONT GLASS
- * OPERATOR SIDE PULL-OUT DRAWER
- * REAR, PLEXIGLASS SLIDING DOORS
- * STANDARD SILVER LACQUERED SIDE PANELS

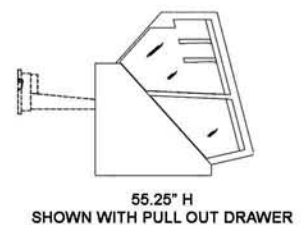
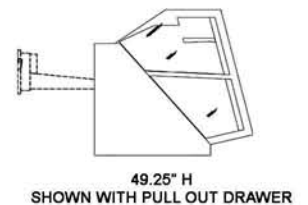
- * STANDARD, LOWER FRONT GLASS FACIA COLOR OPTIONS:
(BACK PAINTED GLASS)



- * MULTIPLEXING CAPABILITY: GELATO, NEUTRAL, DELI, ALL SEASON AND CHOCOLATE CASE APPLICATIONS
- * STANDARD WARRANTY: 5 YEAR COMPRESSOR;
1 YEAR PARTS; 90 DAYS LABOR

OPTIONAL

- * REAR SLIDING DOUBLE PANE GLASS DOORS
- * GRANITE BACK WORK SURFACE
- * CASTERS
- * OPTIONAL, RAL CUSTOM COLOR FRONT & SIDE PANELS



365 Pastry Refrigerated Case Technical Specifications

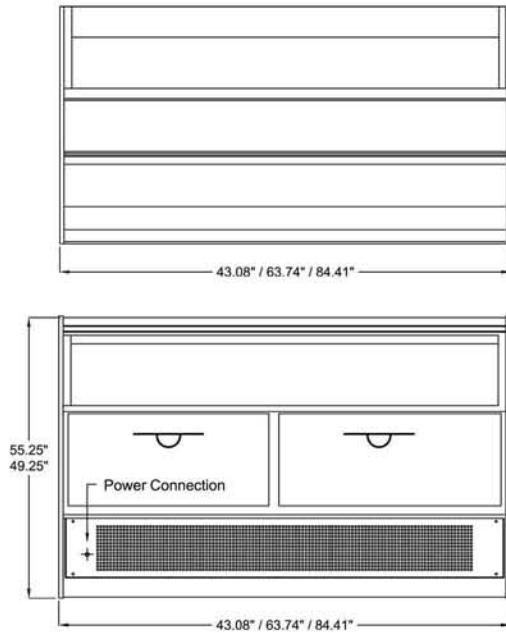
Same as Deli, with drawer

Model no.	Factory Codes	Case Heights	* Case Lengths	Case Depth	Crated Weights (lb)	Line Voltage	**Breaker Size	Amp Draws	Working Temp F	Comp. HP	Shelves
365P-43	RVC 2M	49.25"	43.08"	47.44"	875	220/1/60	20amps	12	38-41	1/3 HP	1
365P-43T	RVC 2M	55.25"	43.08"	47.44"	875	220/1/60	20amps	12	38-41	1/3 HP	2
365P-64	RVC 3M	49.25"	63.74"	47.44"	723	220/1/60	20amps	14	38-41	1/2 HP	1
365P-64T	RVC 3M	55.25"	63.74"	47.44"	723	220/1/60	20amps	14	38-41	1/2 HP	2
365P-85	RVC 4M	49.25"	84.41"	47.44"	934	220/1/60	20amps	15	38-41	3/4 HP	1
365P-85T	RVC 4M	55.25"	84.41"	47.44"	934	220/1/60	20amps	15	38-41	3/4 HP	2

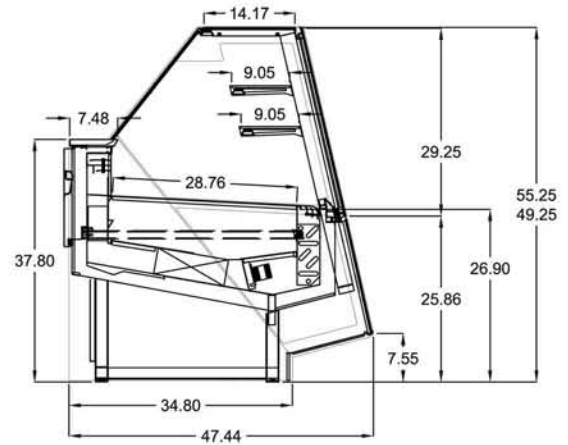
T = Tall (55.25" HIGH)

* Case lengths are specified with standard end panels

** Dedicated service line



2 SHELVES FOR "T" MODELS



PLAN & REAR VIEW

LISTINGS:



ELECTRICAL CONNECTION:

Display cases are shipped with applicable junction box for hardwired installation
Options exist for several NEMA configurations
Plug and/or receptacle configurations are at the discretion of the electrical installer

NOTE:

Required ambient conditions: 75°F; 55% RH
Drawing and Specifications are subject to change without notice

CLABO USA INC.
2556 Barrington Court,
Hayward, CA 94545 USA
PH 800.672.2784
FAX 510.441.0401
<http://www.otl-america.com>