

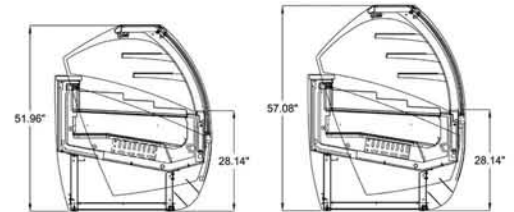
KC43
KC43T

KC64
KC64T

KC85
KC85T



Available Heights:	
51.96"	57.08"



BID SPECIFICATIONS

STANDARD

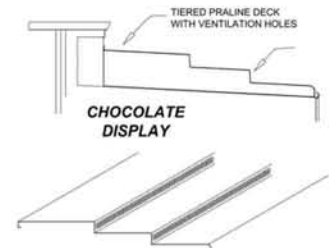
- * 28" HIGH DISPLAY ABOVE FINISHED FLOOR
- * ALL TEMPERED, DOUBLE PANE GLASS FRONT AND SIDES
- * GALVANIZED STEEL CHASSIS CONSTRUCTION
- * INSULATED WITH DENSE NON-CFC ECOLOGIC POLYURETHANE FOAM
- * INSIDE STRUCTURE MADE OF HIGH GLOSS 304 STAINLESS STEEL
- * STAINLESS STEEL WORK SURFACE
- * DIGITAL DIAGNOSTIC CONTROL SYSTEM WITH PROGRAMMABLE DEFROSTING
- * REAR PLEXIGLASS SLIDING DOORS
- * AIR-COOLED CONDENSING UNIT

- * UNIQUE FAN ASSISTED AIRFLOW DESIGN
- * HYDRAULIC LIFT UP FRONT GLASS
- * DIGITAL HUMIDITY CONTROL ON REFRIGERATED DECK, NON-REFRIGERATED SHELVES
- * SILVER ANODIZED ALUMINUM TRIM
- * MULTIPLEXING CAPABILITY WITH GELATO, PASTRY, DELI, AND CHOCOLATE CASE APPLICATIONS
- * DISPLAY CASE(S) TO BE SHIPPED FULLY ASSEMBLED
- * THE STANDARD LIMITED WARRANTY INCLUDES: 5 YEAR COMPRESSOR; 1 YEAR PARTS; 90 DAYS LABOR
- * DISPLAY CASE(S) TO BE LABORATORY CERTIFIED AS DESCRIBED

OPTIONAL

- * LED LIGHTING
- * CASTERS
- * GRANITE WORK SURFACE (OPERATOR SIDE)
- * REMOTE CONDENSING UNIT
- * TIERED STAINLESS STEEL DECK

- * SIDE & FRONT PANELS PAINTED IN A GLOSSY FINISH (CASE SHIP IN BUFF WHITE PRIMER)

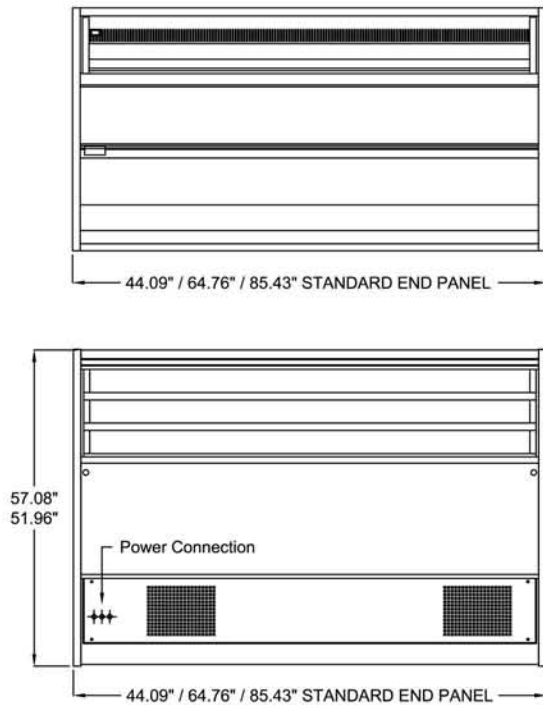


Korea Chocolate Refrigerated Case Technical Specifications

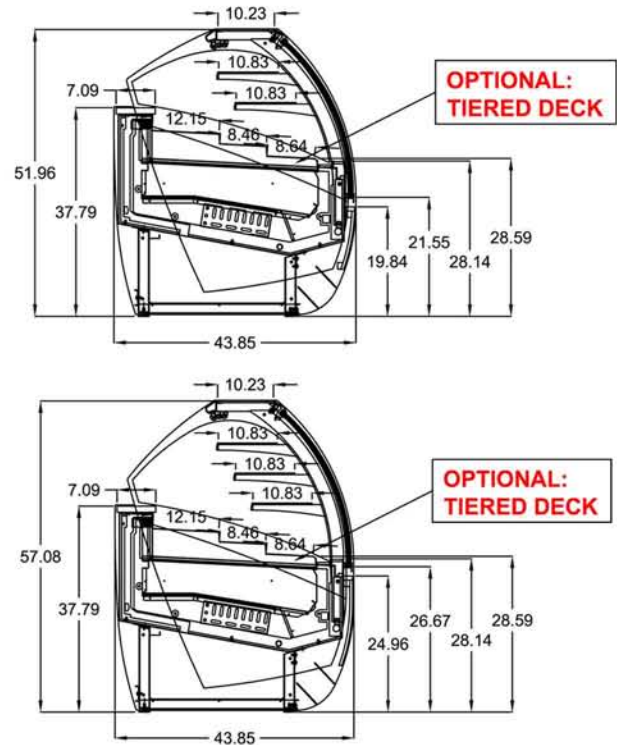
Updated Model no.	Old Model No.	Factory Codes	Case Heights	* Case Lengths	Case Depth	Crated Weights (lb)	Line Voltage	Breaker Size	Amp Draw	Working Temp F	Comp. HP	Shelves
KC43	C87K-3SCC	RP 2M	51.96"	44.09"	43.85"	690	220/1/60	20amps	10	57	1/3 HP	2
KC43T	C87K-3SCC	RP 2M	57.08"	44.09"	43.85"	734	220/1/60	20amps	10	57	1/3 HP	3
KC64	C87K-5SCC	RP 3M	51.96"	64.76"	43.85"	844	220/1/60	20amps	10	57	1/2 HP	2
KC64T	C87K-5SCC	RP 3M	57.08"	64.76"	43.85"	888	220/1/60	20amps	10	57	1/2 HP	3
KC85	C87K-7SCC	RP 4M	51.96"	85.43"	43.85"	998	220/1/60	20amps	10	57	3/4 HP	2
KC85T	C87K-7SCC	RP 4M	57.08"	85.43"	43.85"	1042	220/1/60	20amps	10	57	3/4 HP	3

T = TALL

* Case lengths are specified with standard end panels



PLAN & REAR VIEW



SIDE VIEWS

LISTINGS:



ELECTRICAL CONNECTION

Display cases are shipped with applicable junction box for hardwired installation
 Options exist for several NEMA configurations
 Plug and/or receptacle configurations are at the discretion of the electrical installer

NOTE:

Required ambient conditions: 75°F; 55% RH
 Drawing and Specifications are subject to change without notice

CLABO USA INC.
 2556 Barrington Court,
 Hayward, CA 94545 USA
 PH 800.672.2784
 FAX 510.441.0401
<http://www.otl-america.com>