

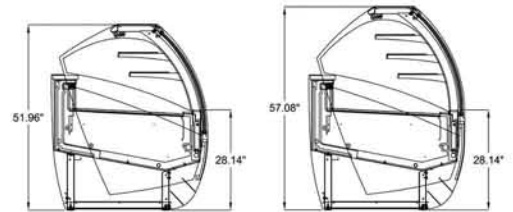
KN43  
KN43T

KN64  
KN64T

KN85  
KN85T



Available Heights:	
51.96"	57.08"



### BID SPECIFICATIONS

S  
T  
A  
N  
D  
A  
R  
D

- \* 28" HIGH DISPLAY ABOVE FINISHED FLOOR
- \* DUAL PANE TEMPERED GLASS FRONT AND SIDE
- \* HYDRAULIC LIFT UP FRONT GLASS
- \* STAINLESS STEEL WORK SURFACE
- \* REAR PLEXIGLASS DOORS
- \* SILVER ANODIZED ALUMINUM TRIM
- \* MULTIPLEXING CAPABILITY WITH GELATO, PASTRY, DELI, AND CHOCOLATE CASE APPLICATIONS
- \* DISPLAY CASE(S) TO BE SHIPPED FULLY ASSEMBLED
- \* THE STANDARD LIMITED WARRANTY INCLUDES:  
1 YEAR PARTS; 90 DAYS LABOR
- \* DISPLAY CASE(S) TO BE LABORATORY CERTIFIED AS DESCRIBED

O  
P  
T  
I  
O  
N  
A  
L

- \* LED LIGHTING
- \* CASTERS
- \* GRANITE WORK SURFACE (OPERATOR SIDE)

\* SIDE & FRONT PANELS PAINTED IN A GLOSSY FINISH (CASE SHIP IN BUFF WHITE PRIMER)



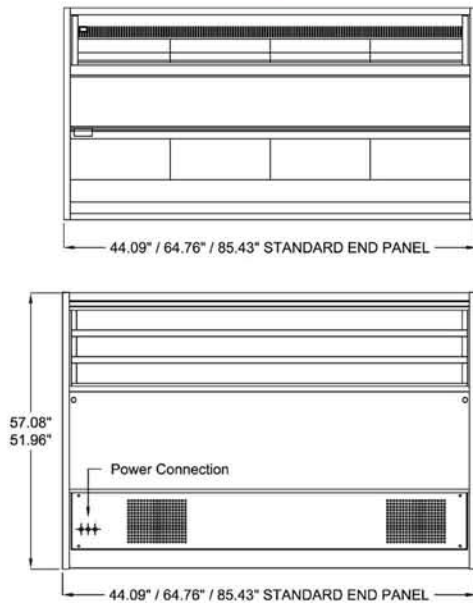
## Korea Neutral Case Technical Specifications

No Heat, No Cooling

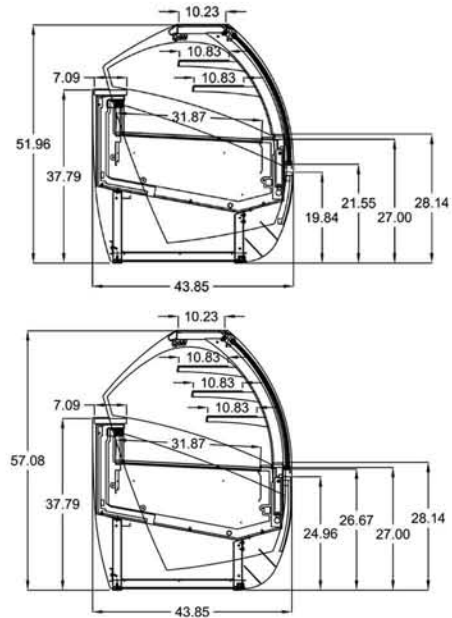
Updated Model no.	Case Heights	* Case Lengths	Case Depth	Crated Weights (lb)	Line Voltage	Breaker Size	Amp Draws	Working Temp	Shelves
KN43	51.96"	44.09"	43.85"	690	220/1/60	20amps	2	Ambient	2
KN43T	57.08"	44.09"	43.85"	734	220/1/60	20amps	2	Ambient	3
KN64	51.96"	64.76"	43.85"	844	220/1/60	20amps	3	Ambient	2
KN64T	57.08"	64.76"	43.85"	888	220/1/60	20amps	3	Ambient	3
KN85	51.96"	85.43"	43.85"	998	220/1/60	20amps	4	Ambient	2
KN85T	57.08"	85.43"	43.85"	1042	220/1/60	20amps	4	Ambient	3

T = TALL

\* Case lengths are specified with standard end panels



PLAN & REAR VIEW



SIDE VIEWS

### LISTINGS:



### ELECTRICAL CONNECTION

Display cases are shipped with applicable junction box for hardwired installation  
Options exist for several NEMA configurations  
Plug and/or receptacle configurations are at the discretion of the electrical installer

### NOTE:

Required ambient conditions: 75°F; 55% RH  
Drawing and Specifications are subject to change without notice

CLABO USA INC.  
2556 Barrington Court,  
Hayward, CA 94545 USA  
PH 800.672.2784  
FAX 510.441.0401  
<http://www.otl-america.com>