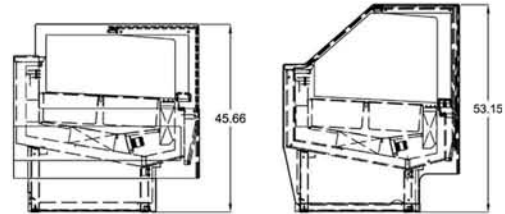


KT24

GELATO SHOWCASE

C83F-KT24-G43 C83F-KT24-G64 C83F-KT24-G84
 C83F-KT24-G43T C83F-KT24-G64T C83F-KT24-G84T



BID SPECIFICATIONS

STANDARD

- * ALL CLEAR PLEXIGLASS TOP SUPPORT STRUCTURE (FIG.1)
- * LED LIGHTING
- * TILT BACK FRONT GLASS
- * ALL TEMPERED, DOUBLE PANE HEATED GLASS ON FRONT AND SIDES
- * GALVANIZED STEEL CHASSIS CONSTRUCTION
- * INSULATED WITH DENSE NON-CFC ECOLOGIC POLYURETHANE FOAM
- * BACK & INSIDE STRUCTURE MADE OF HIGH GLOSS 304 STAINLESS STEEL
- * DIGITAL DIAGNOSTIC CONTROL SYSTEM WITH PROGRAMMABLE DEFROSTING
- * REAR PLEXIGLASS SLIDING DOORS
- * AIR-COOLED CONDENSING UNIT
- * UNIQUE FAN ASSISTED AIRFLOW DESIGN

- * INCLINE DISPLAY
- * REMOVABLE STAINLESS STEEL DECK
- * SILVER ANODIZED ALUMINUM TRIM
- * STAINLESS STEEL WORK SURFACE
- * BACK PAINTED GLASS ON FRONT FACIA
- * MULTIPLEXING CAPABILITY WITH PASTRY, DELI, AND CHOCOLATE CASE APPLICATIONS
- * DISPLAY CASE(S) TO BE SHIPPED FULLY ASSEMBLED
- * DISPLAY CASE(S) HAVE INTERGRATED ELECTRONIC TIME AND TEMPERATURE CONTROLLER(S) WITH HOT GAS DEFROST STANDARD ON GELATO MODELS
- * THE STANDARD LIMITED WARRANTY INCLUDES:
5 YEAR COMPRESSOR; 1 YEAR PARTS; 90 DAYS LABOR
- * DISPLAY CASE(S) TO BE LABORATORY CERTIFIED AS DESCRIBED



FIG.1

OPTIONAL

- * CASTERS
- * GRANITE WORK SURFACE (OPERATOR SIDE)
- * REMOTE CONDENSING UNIT

- * PANS NOT INCLUDED



- * SIDE & FRONT PANELS PAINTED IN A GLOSSY FINISH (CASE SHIP IN BUFF WHITE PRIMER)

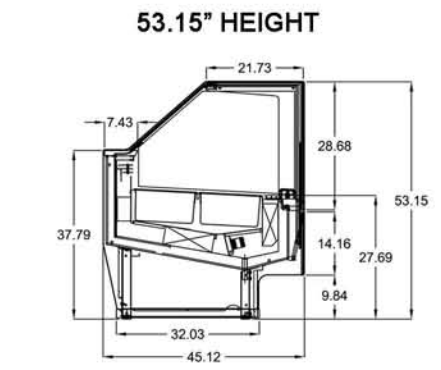
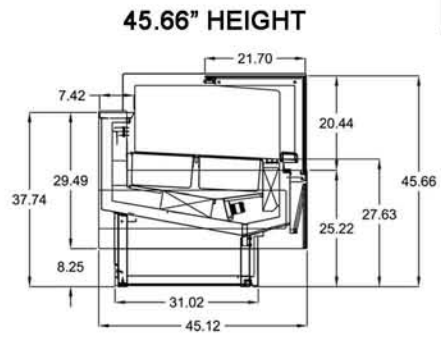
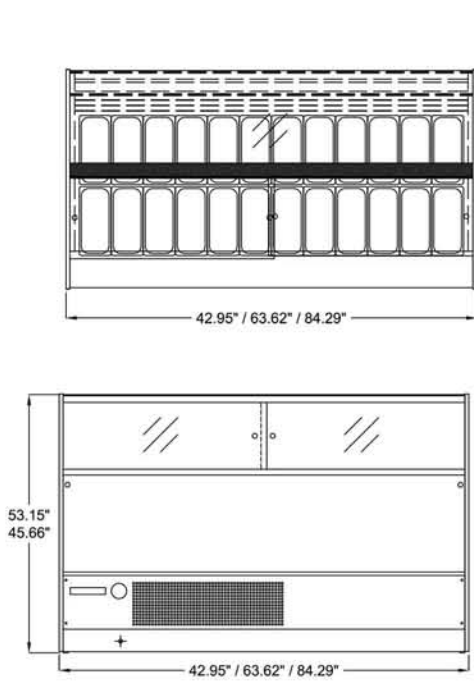


KT24 Gelato / Ice Cream Case Technical Specifications

Updated Model no.	Factory Codes	Case Heights	* Case Lengths	Case Depth	Crated Weights (lb)	Line Voltage	Breaker Sizes	Amp Draws	BTUs	Working Temp F	Pan Capacity		Comp. HP
									-20 Evap Temp (R404a)		5 Liter	12 Liter	
C83F-KT24-G43	G6	45.66"	42.95"	45.12"	723	220/1/60	20amps	9	5285	-10 to + 10	12	8	1 1/2 HP
C83F-KT24-G43T	G6	53.15"	42.95"	45.12"	875	220/1/60	20amps	9	5285	-10 to + 10	12	8	1 1/2 HP
C83F-KT24-G64	G9	45.66"	63.62"	45.12"	934	220/1/60	20amps	10	7843	-10 to + 10	18	12	2 HP
C83F-KT24-G64T	G9	53.15"	63.62"	45.12"	723	220/1/60	20amps	10	7843	-10 to + 10	18	12	2 HP
C83F-KT24-G84	G12	45.66"	84.29"	45.12"	875	220/1/60	30amps	14	9889	-10 to + 10	24	16	2X1 HP
C83F-KT24-G84T	G12	53.15"	84.29"	45.12"	934	220/1/60	30amps	14	9889	-10 to + 10	24	16	2X1 HP

T = TALL

* Case lengths are specified with standard end panels



Factory Codes	Pan Layouts	Pan Sizes
G6		5 Liter
G6		12 Liter
G9		5 Liter
G9		12 Liter
G12		5 Liter
G12		12 Liter

PLAN & REAR VIEW

SIDE VIEWS

LISTINGS:



ELECTRICAL CONNECTION:

Display cases are shipped with applicable junction box for hardwired installation
 Options exist for several NEMA configurations
 Plug and/or receptacle configurations are at the discretion of the electrical installer

NOTE:

Required ambient conditions: 75°F; 55% RH
 Drawing and Specifications are subject to change without notice

CLABO USA INC.
 2556 Barrington Court,
 Hayward, CA 94545 USA
 PH 800.672.2784
 FAX 510.441.0401
<http://www.otl-america.com>