

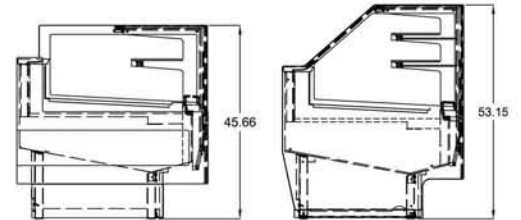
# KT24

## NEUTRAL CURVED SHOWCASE

KT24-N30EXT  
KT24-N30EXT-T

KT24-N30INT

KT24-N45EXT  
KT24-N45EXT-T



### BID SPECIFICATIONS

S  
T  
A  
N  
D  
A  
R  
D

- \* ALL CLEAR PLEXIGLASS TOP SUPPORT STRUCTURE (FIG.1)
- \* LED LIGHTING
- \* TILT BACK FRONT GLASS
- \* ALL TEMPERED, DOUBLE PANE GLASS FRONT AND SIDES
- \* GALVANIZED STEEL CHASSIS CONSTRUCTION
- \* INSULATED WITH DENSE NON-CFC ECOLOGIC POLYURETHANE FOAM
- \* BACK & INSIDE STRUCTURE MADE OF HIGH GLOSS 304 STAINLESS STEEL
- \* STAINLESS STEEL WORK SURFACE
- \* REAR PLEXIGLASS SLIDING DOORS

- \* INCLINE DISPLAY
- \* REMOVABLE STAINLESS STEEL DECK
- \* SILVER ANODIZED ALUMINUM TRIM
- \* BACK PAINTED GLASS ON FRONT FACIA
- \* MULTIPLEXING CAPABILITY WITH GELATO, PASTRY, DELI, AND CHOCOLATE CASE APPLICATIONS
- \* DISPLAY CASE(S) TO BE SHIPPED FULLY ASSEMBLED
- \* THE STANDARD LIMITED WARRANTY INCLUDES:  
1 YEAR PARTS; 90 DAYS LABOR
- \* DISPLAY CASE(S) TO BE LABORATORY CERTIFIED AS DESCRIBED



FIG.1

O  
P  
T  
I  
O  
N  
A  
L

- \* CASTERS
- \* GRANITE WORK SURFACE (OPERATOR SIDE)

- \* SIDE & FRONT PANELS PAINTED IN A GLOSSY FINISH (CASE SHIP IN BUFF WHITE PRIMER)



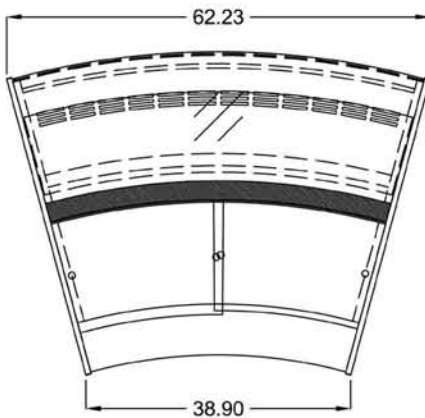
## KT24 Neutral Curved Case Technical Specifications

Updated Model no.	Factory Codes	Case Heights	* Case Lengths	Case Depth	Crated Weights (lb)	Line Voltage	Breaker Size	Amp Draw	Working Temp	Shelves
KT24-N30EXT	N 30A	45.66"	*A & B*	45.12"	723	115/1/60	20amps	2	Ambient	1
KT24-N30EXT-T	N 30A	53.15"	*A & B*	45.12"	875	115/1/60	20amps	2	Ambient	2
KT24-N30INT	N 30C	45.66"	*A & B*	45.12"	934	115/1/60	20amps	2	Ambient	1
KT24-N45EXT	N 45A	45.66"	*A & B*	45.12"	875	115/1/60	20amps	2	Ambient	1
KT24-N45EXT-T	N 45A	53.15"	*A & B*	45.12"	934	115/1/60	20amps	2	Ambient	2

T = TALL

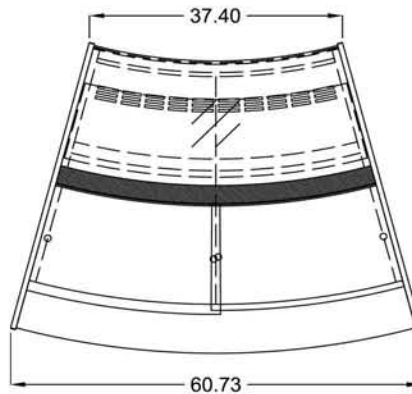
\* Case lengths are specified with standard end panels

A - Customer Side  
KT24-N30EXT = 62.23"



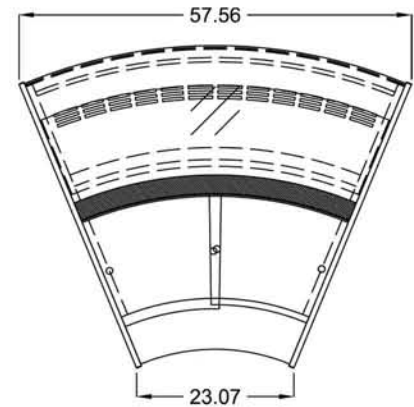
B - Server Side  
KT24-N30EXT = 38.90"

A - Customer Side  
KT24-N30INT = 37.40"



B - Server Side  
KT24-N30INT = 60.73"

A - Customer Side  
KT24-N45EXT = 57.56"



B - Server Side  
KT24-N45EXT = 23.07"

## PLAN / TOP VIEWS of CURVED CASES

### LISTINGS:



### ELECTRICAL CONNECTION

Display cases are shipped with applicable junction box for hardwired installation  
Options exist for several NEMA configurations  
Plug and/or receptacle configurations are at the discretion of the electrical installer

### NOTE:

Required ambient conditions: 75°F; 55% RH  
Drawing and Specifications are subject to change without notice

CLABO USA INC.  
2556 Barrington Court,  
Hayward, CA 94545 USA  
PH 800.672.2784  
FAX 510.441.0401  
<http://www.otl-america.com>