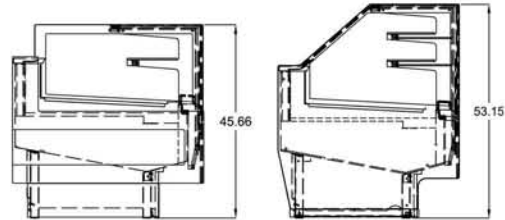


# KT24

## NEUTRAL SHOWCASE

KT24-N43    KT24-N64    KT24-N84  
 KT24-N43T    KT24-N64T    KT24-N84T



### BID SPECIFICATIONS

STANDARD

- \* ALL CLEAR PLEXIGLASS TOP SUPPORT STRUCTURE (FIG.1)
- \* LED LIGHTING
- \* TILT BACK FRONT GLASS
- \* ALL TEMPERED, DOUBLE PANE GLASS FRONT AND SIDES
- \* GALVANIZED STEEL CHASSIS CONSTRUCTION
- \* INSULATED WITH DENSE NON-CFC ECOLOGIC POLYURETHANE FOAM
- \* BACK & INSIDE STRUCTURE MADE OF HIGH GLOSS 304 STAINLESS STEEL
- \* STAINLESS STEEL WORK SURFACE
- \* REAR PLEXIGLASS SLIDING DOORS

- \* INCLINE DISPLAY
- \* REMOVABLE STAINLESS STEEL DECK
- \* SILVER ANODIZED ALUMINUM TRIM
- \* BACK PAINTED GLASS ON FRONT FACIA
- \* MULTIPLEXING CAPABILITY WITH GELATO, PASTRY, DELI, AND CHOCOLATE CASE APPLICATIONS
- \* DISPLAY CASE(S) TO BE SHIPPED FULLY ASSEMBLED
- \* THE STANDARD LIMITED WARRANTY INCLUDES:  
1 YEAR PARTS; 90 DAYS LABOR
- \* DISPLAY CASE(S) TO BE LABORATORY CERTIFIED AS DESCRIBED



FIG.1

OPTIONAL

- \* CASTERS
- \* GRANITE WORK SURFACE (OPERATOR SIDE)

- \* SIDE & FRONT PANELS PAINTED IN A GLOSSY FINISH (CASE SHIP IN BUFF WHITE PRIMER)



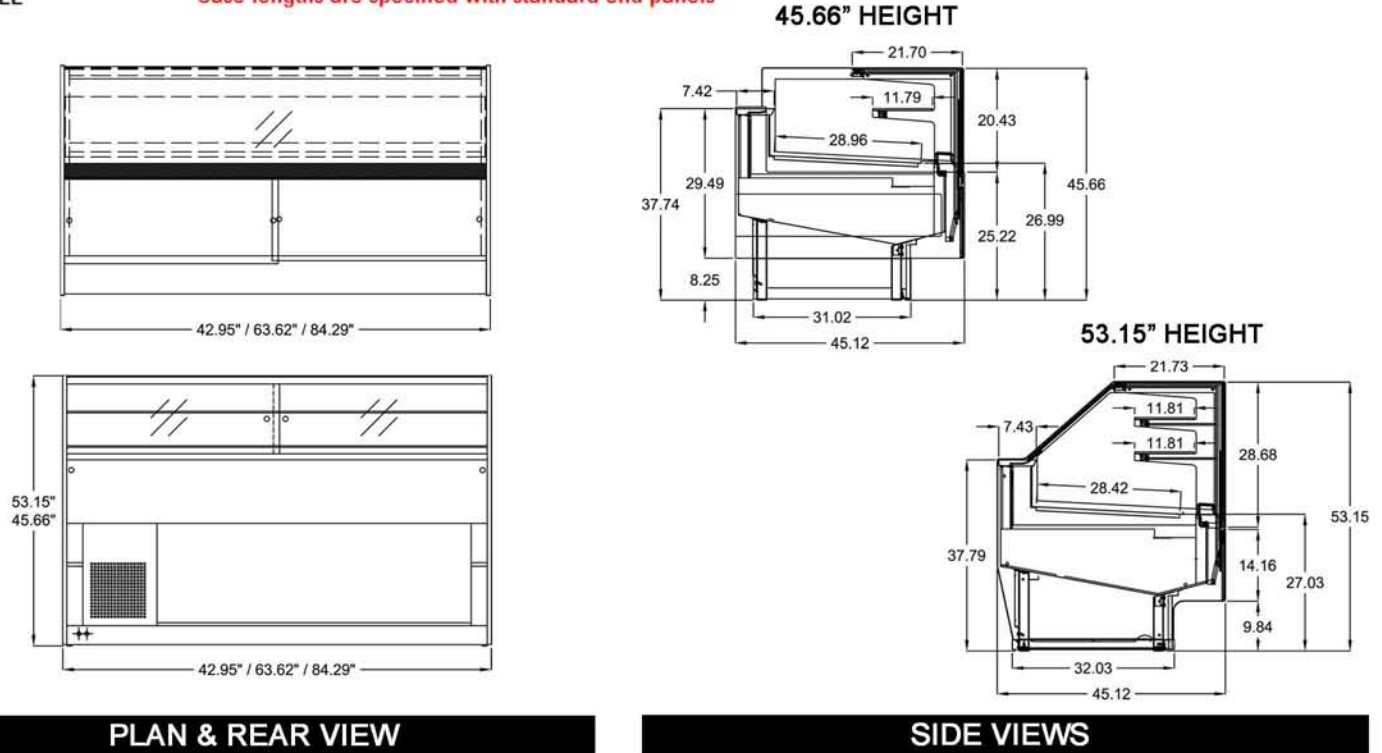
## KT24 Neutral Case Technical Specifications

No Heat, No Cooling

Updated Model no.	Factory Codes	Case Heights	* Case Lengths	Case Depth	Crated Weights (lb)	Line Voltage	Breaker Size	Amp Draws	Working Temp	Shelves
KT24-N43	N 2M	45.66"	42.95"	45.12"	723	115/1/60	20amps	2	Ambient	1
KT24-N43T	N 2M	53.15"	42.95"	45.12"	875	115/1/60	20amps	2	Ambient	2
KT24-N64	N 3M	45.66"	63.62"	45.12"	934	115/1/60	20amps	3	Ambient	1
KT24-N64T	N 3M	53.15"	63.62"	45.12"	723	115/1/60	20amps	3	Ambient	2
KT24-N84	N 4M	45.66"	84.29"	45.12"	875	115/1/60	20amps	4	Ambient	1
KT24-N84T	N 4M	53.15"	84.29"	45.12"	934	115/1/60	20amps	4	Ambient	2

T = TALL

\* Case lengths are specified with standard end panels



### LISTINGS:



### ELECTRICAL CONNECTION

Display cases are shipped with applicable junction box for hardwired installation  
 Options exist for several NEMA configurations  
 Plug and/or receptacle configurations are at the discretion of the electrical installer

### NOTE:

Required ambient conditions: 75°F; 55% RH  
 Drawing and Specifications are subject to change without notice

CLABO USA INC.  
 2556 Barrington Court,  
 Hayward, CA 94545 USA  
 PH 800.672.2784  
 FAX 510.441.0401  
<http://www.otl-america.com>